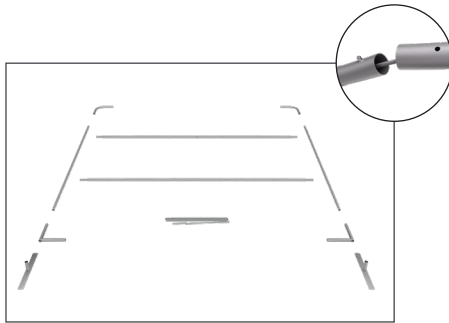


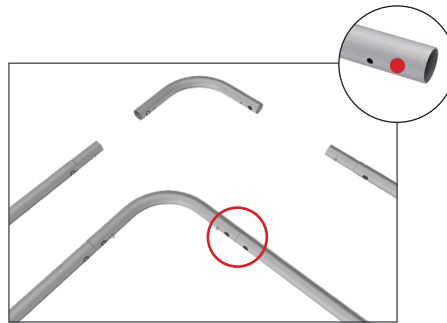
Set Up Instructions

WL-43F

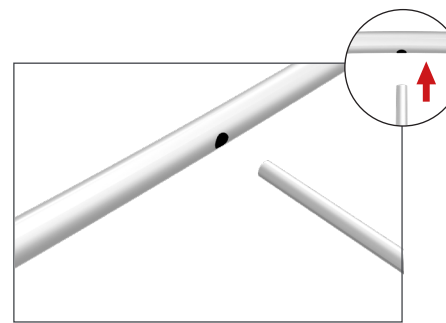
Step 1: Assemble straight poles by pressing and pushing together.



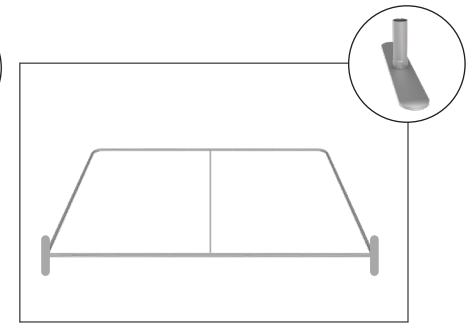
Step 2: Connect all corner sections to straight sections of the frame by matching shape symbols on pipes.



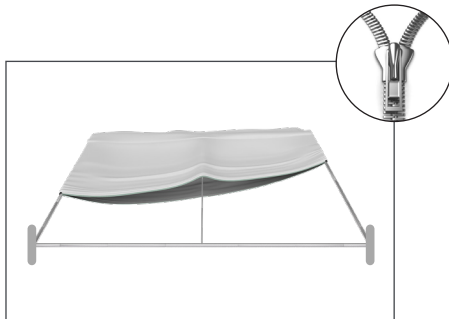
Step 3: Insert center support pole.



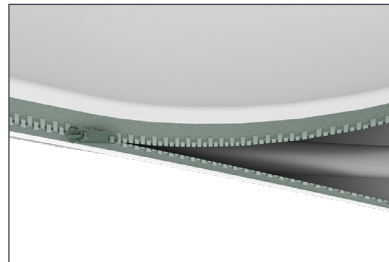
Step 4: Insert feet into base to complete assembled frame shown.



Step 5: Unzip print and lay image face up. Slide print onto frame like a pillow case.



Step 6: Zip the edge of graphic beyond the center point as shown to hold the center pole in place. Zip the remaining side and bottom to meet at the corner.



Step 7: Complete.



LIGHTS:
(OPTIONAL) Position as desired and tighten knob to hold in place.
WARNING! Over tightening may cause damage to fabric image.



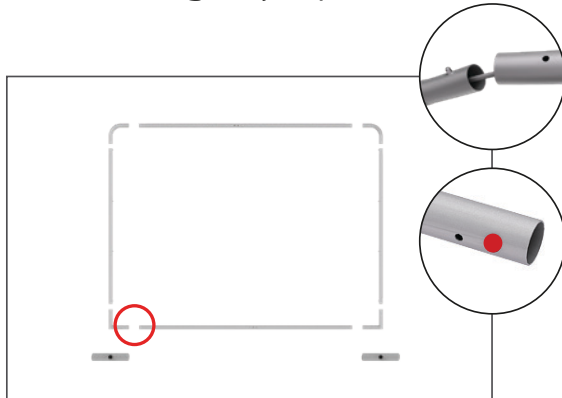
expandbiz

expandbizdisplays.com • Tel: 626-727-3716

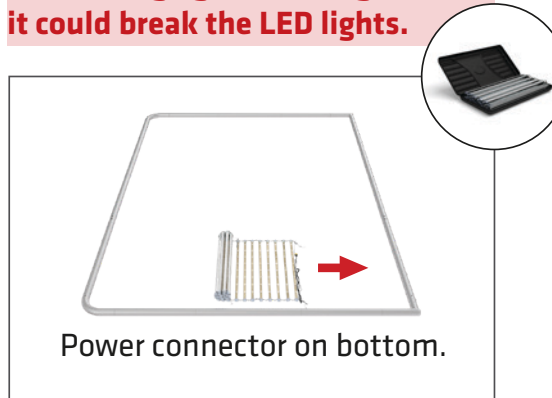
Set Up Instructions

WLT-43R

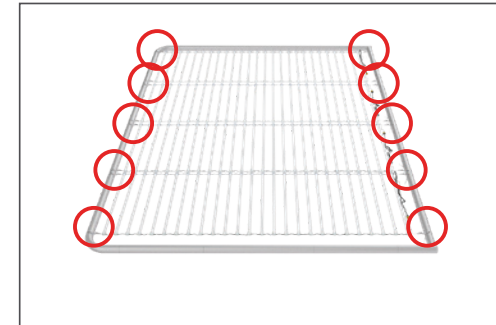
Step 1: Connect poles by pressing and pushing together, then connect corner sections to straight sections with matching shape symbols.



Step 2: Take out the LED Lights and **gently** unroll on the ground with lights face down. **WARNING!** Do not drag lights across ground or it could break the LED lights.



Step 3: Attach each LED Light Array to top and bottom of frame.



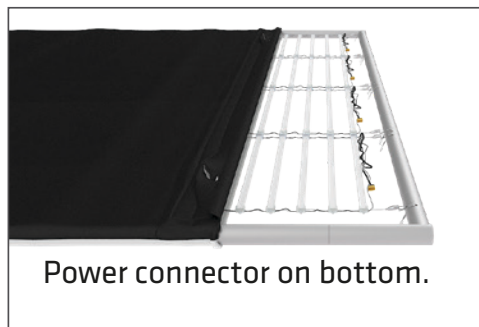
Pull extra cable leash at bottom to secure each LED Light Array into place.

(lights face down)

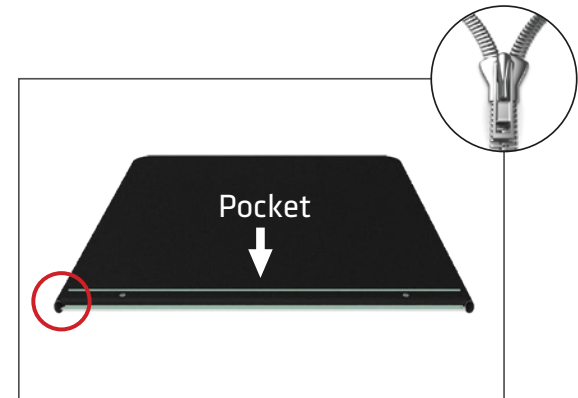


Step 4: Unzip print and lay image face down. Slide print onto the frame like a pillow case.

(lights face down)



Step 5: Unzip pocket on black fabric for more stretch. Pull graphic over bottom edge and pinch zipper to together to zip closed.



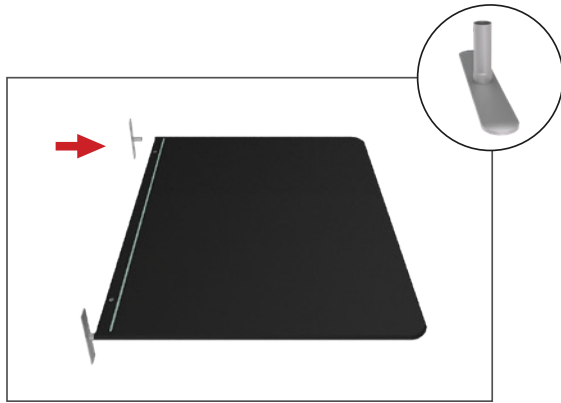
expandbiz

expandbizdisplays.com • Tel: 626-727-3716

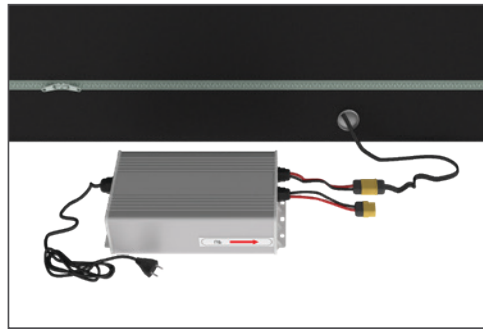
Set Up Instructions

WLT-43R

Step 6: Connect the feet by inserting into the bottom holes of frame and pressing firmly. Lift frame into upright position.



Step 7: Find cable ends and pull through grommet holes. Connect each power cable to a power supply.
WARNING! Only connect one light array to each power supply.



Step 8: Collect cables together and close zipper. Plug power supply into electrical unit and turn on to complete.

NOTE: If you can see the lights and the print is not evenly diffused:

1. Check that the display is level and not leaning forward.
2. The graphic is fully zipped on bottom and under tension.
3. The lights are hooked to the back of frame and the printing is on the opposite front side of frame.
4. Make sure light array has been fully tensioned with the extra cable leash (Step 3) and not loose.



CAUTION!

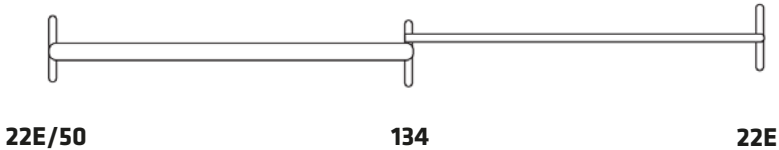
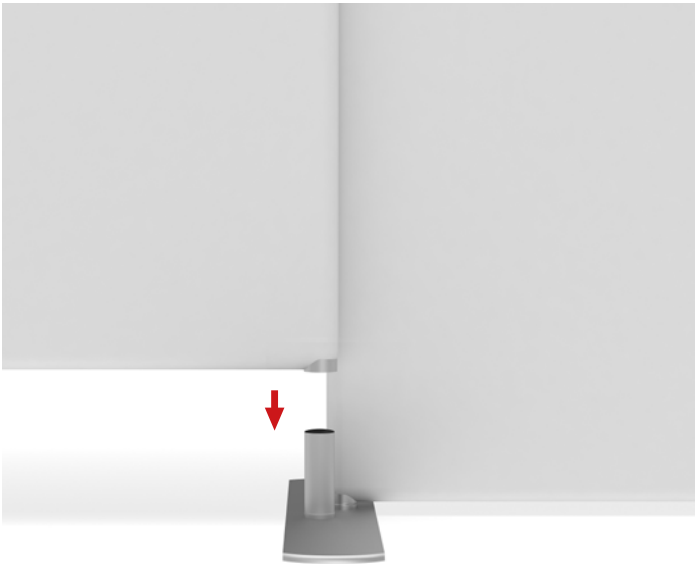
Do not connect lights to power when lights are rolled up. Hang lights on frame before connecting to power for testing.



expandbiz

expandbizdisplays.com • Tel: 626-727-3716

FEET



WLM-P-22E



WLM-P-22E/50



WLM-P-133



WLM-P-134