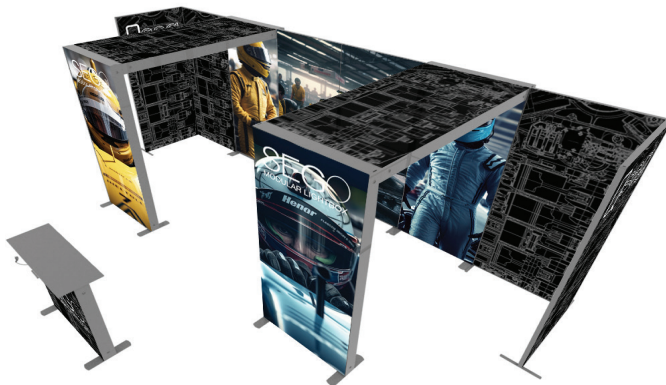
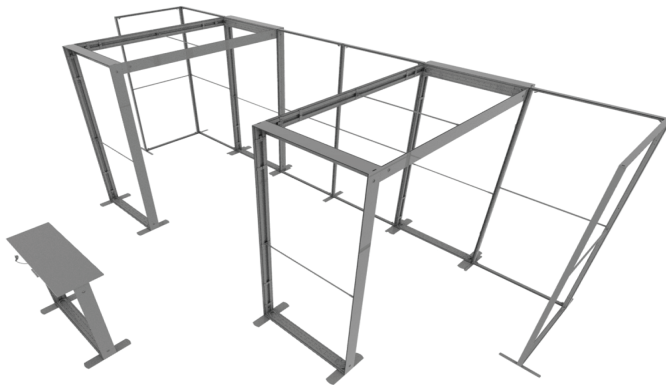


# SEGO QSEG CONFIGURATION C

SEGO & QSEG MODULAR SEG DISPLAY  
 PRODUCT CODE: SEGO-QSEG-C



On frame On graphic



## PRODUCT DESCRIPTION

When modular worlds collide! The SEGO + QSEG configurations offer a perfect blend of backlit and non-backlit graphics for your trade show or exhibition needs. Emphasize your message with vibrant backlit graphics on SEGO lightbox frames that pair well with non-backlit graphics on the QSEGS. All frames showcase double-sided graphics so your message can be seen from almost any angle. All graphics are dye-sub printed with SEG (Silicone Edge Graphic) finishing which makes for easy graphic installation and change out. Frame assembly and the modular connection are all tool free so you don't have to worry about having tools on hand for booth setup and breakdown. Specialized connectors were developed to marry the two systems and have connectors for inline as well as 90° corners. Choose from our standard SEGO + QSEG configurations or contact us for a custom quote. SEGO + QSEG.... Name a better duo I'll wait...

\*Please check your tradeshow guidelines to make sure this configuration conforms to the show regulations. If adjustments to the configuration are required to meet the show requirements please contact us\*

DISPLAY DIMENSIONS	240"W x 88.5"H x 104.5"D
GRAPHIC SIZE	41.5"W x 91"H (QSEG-100x225)
	41.5"W x 91"H (SEGO-100x225)
	41.5"W x 41.5"H (SEGO-CNTR)

## GRAPHIC MATERIAL

Dye Sub Stretch Fabric (QSEG Frames)  
 Dye Sub Backlit Fabric (SEGO Frames)

## GRAPHIC FINISHING

12mm x 3mm Silicone beading sewn around perimeter

## DISPLAY CONSTRUCTION

Aluminum extrusion frames with plastic components

## SHIPPING WEIGHTS & DIMENSIONS

Shipping Weight (each box)	16 lbs (QSEG-100X225) (6 boxes)
	32 lbs (SEGO-100x225) (6 boxes)
	31 lbs (SEGO-CNTR) (1 box)
Shipping Dimensions (each box)	47.25"W x 4"H x 10.25"D (6 boxes)
	54.5"W x 15.5"H x 6.75"D (6 boxes)
	45.5"W x 15.5"H x 6.75"D (1 box)

## GRAPHIC TURN AROUND TIME

2 business days after proof approval (up to 2 sets)

POWER OUTLETS REQ	7 total (see next page for light and transformer specs)
-------------------	---





On frame



On graphic



## LED LIGHT AND TRANSFORMER SPECIFICATIONS INFORMATION LISTED BELOW IS PER (QTY 1) FRAME

### SEGO-100X225X12

LED LIGHT SPECIFICATION	
BRAND	Osram
POWER	3W
CCT (COLOR TEMP)	6800k
AVERAGE BEAM ANGEL	20 °
LM/W	130
AVG LM/M <sup>2</sup>	4800-5800
VOLTAGE INPUT	24V
TRANSFORMER SPECIFICATION	
POWER RATE 2 TRANSFORMERS	95W, 252W
CERTIFICATES	UL, CE, GEM
VOLTAGE INPUT	100-240V
VOLTAGE OUTPUT	24V

LUMENS	
VOLTAGE (V)	24
POWER (W)	90
LM/W	130
TOTAL LM	11700
AVG LM	5850
CU	.8
EAV	4680

### SEGO COUNTER

LED LIGHT SPECIFICATION	
BRAND	Osram
POWER	3W
CCT (COLOR TEMP)	6800k
AVERAGE BEAM ANGEL	20 °
LM/W	130
AVG LM/M <sup>2</sup>	4800-5800
VOLTAGE INPUT	24V
TRANSFORMER SPECIFICATION	
POWER RATE 2 TRANSFORMERS	95W, 252W
CERTIFICATES	UL, CE, GEM
VOLTAGE INPUT	100-240V
VOLTAGE OUTPUT	24V

LUMENS	
VOLTAGE (V)	24
POWER (W)	45
LM/W	130
TOTAL LM	5850
AVG LM	5850
CU	.8
EAV	4680

# SEGO QSEG CONFIGURATION C

SEGO & QSEG MODULAR SEG DISPLAY  
PRODUCT CODE: SEGO-QSEG-C



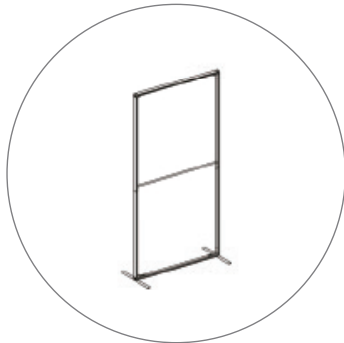
On frame



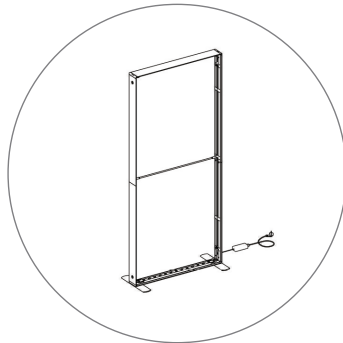
On graphic



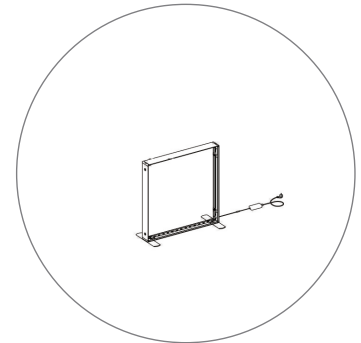
## PARTS LIST



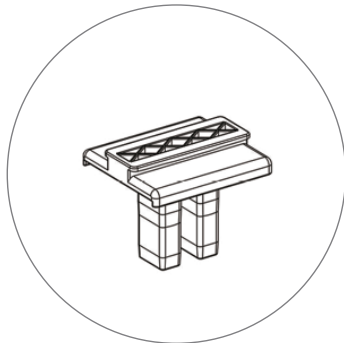
(qty 6)  
QSEG-100x225



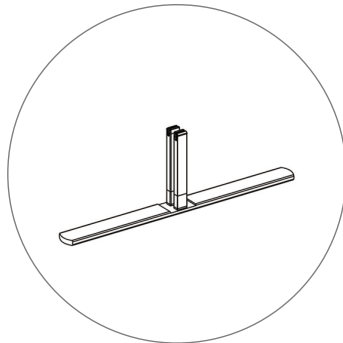
(qty 6)  
SEGO-100X225X12



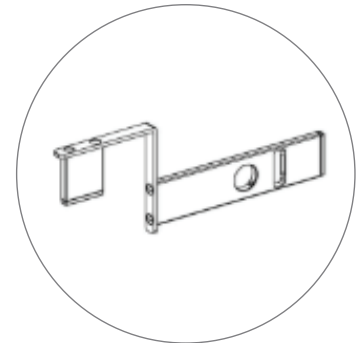
(qty 1)  
SEGO-CNTR



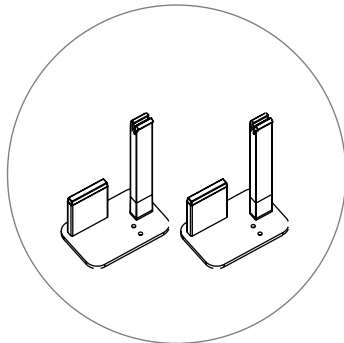
(qty 1)  
QSEG-SCON



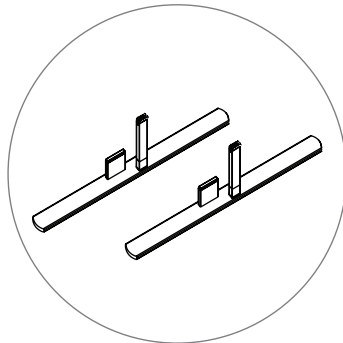
(qty 1)  
QSEG-TPFF



(qty 8)  
SEGO-BC



(qty 4 sets)  
SEGO-QSEG-ST-CON

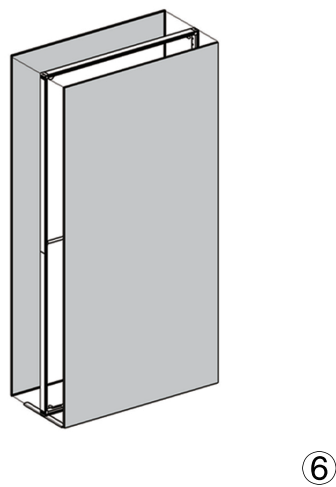
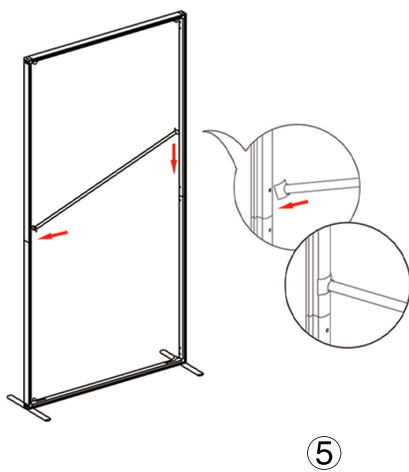
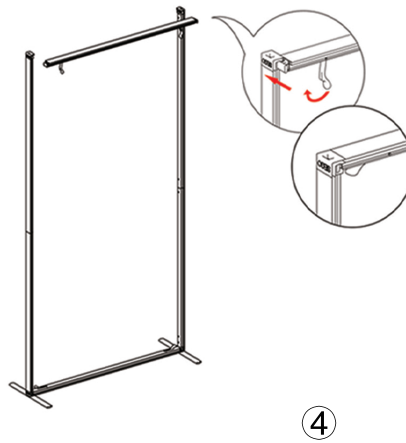
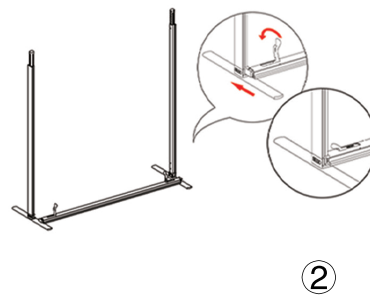
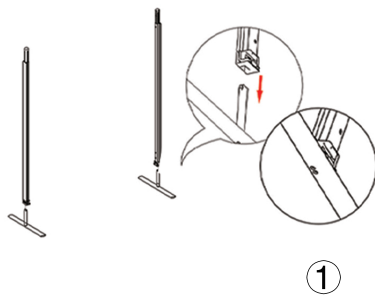


(qty 8 sets)  
SEGO-QSEG-SB-CON



(qty 2)  
SEGO-5MWIRE

## SET UP INSTRUCTIONS QSEG-100X225



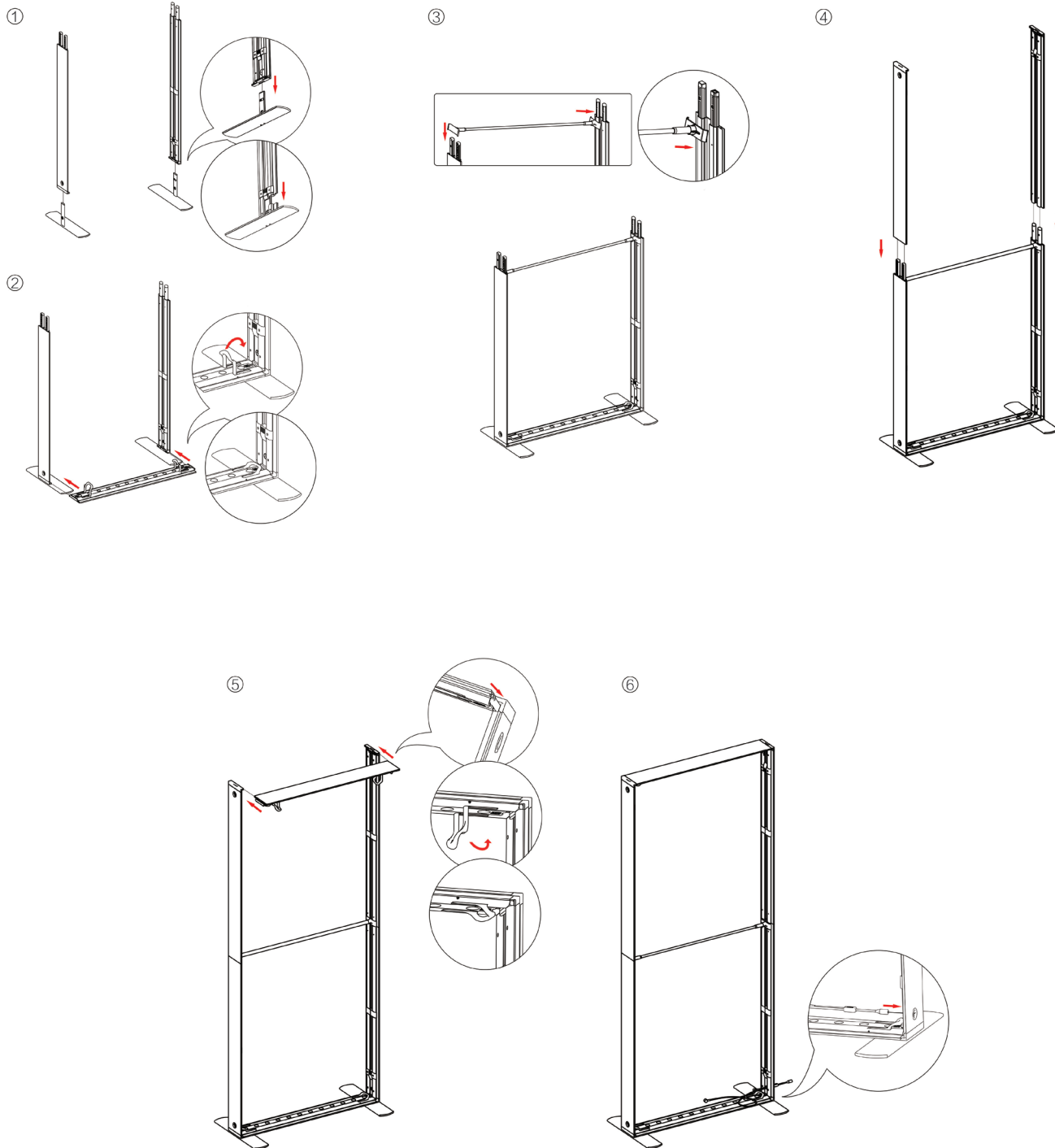
# SEGO QSEG CONFIGURATION C

SEGO & QSEG MODULAR SEG DISPLAY  
PRODUCT CODE: SEGO-QSEG-C



On frame On graphic

## SET UP INSTRUCTIONS SEGP-100X225X12



# SEGO QSEG CONFIGURATION C

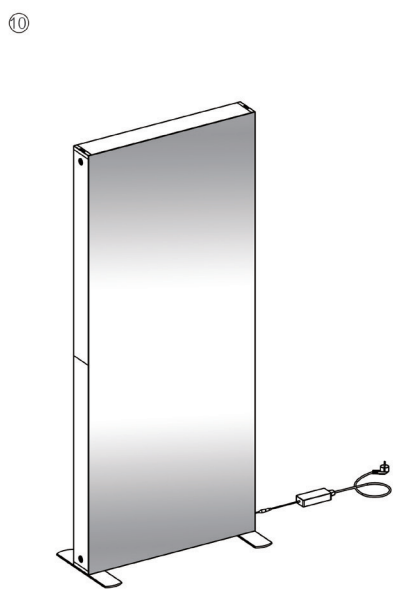
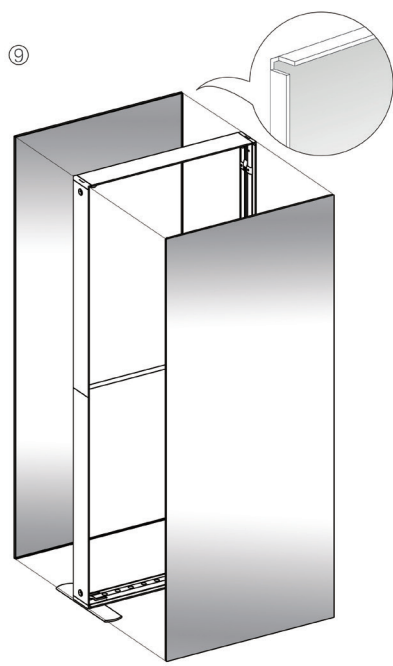
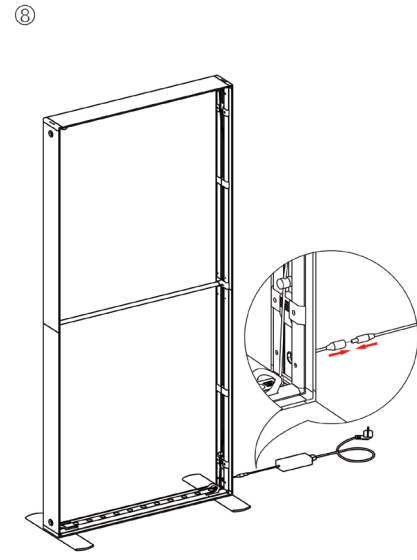
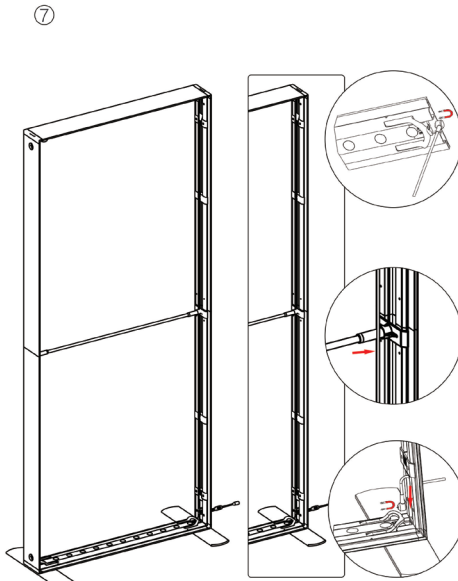
SEGO & QSEG MODULAR SEG DISPLAY  
PRODUCT CODE: SEGO-QSEG-C



On frame



On graphic



# SEGO QSEG CONFIGURATION C

SEGO & QSEG MODULAR SEG DISPLAY  
PRODUCT CODE: SEGO-QSEG-C



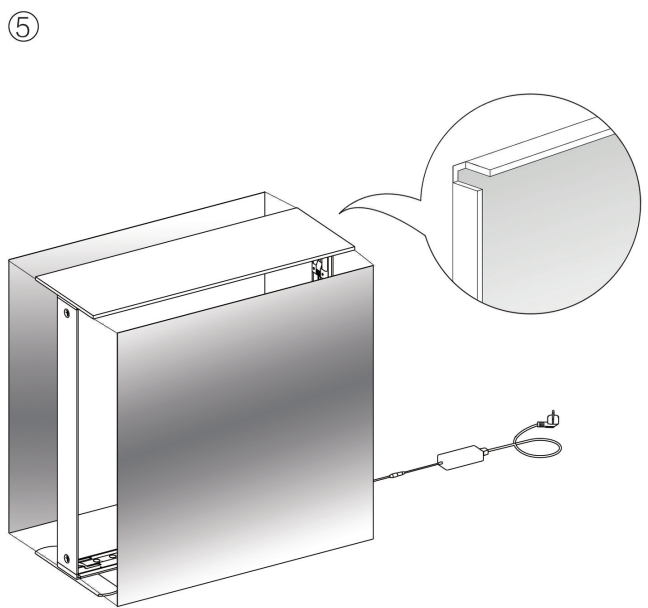
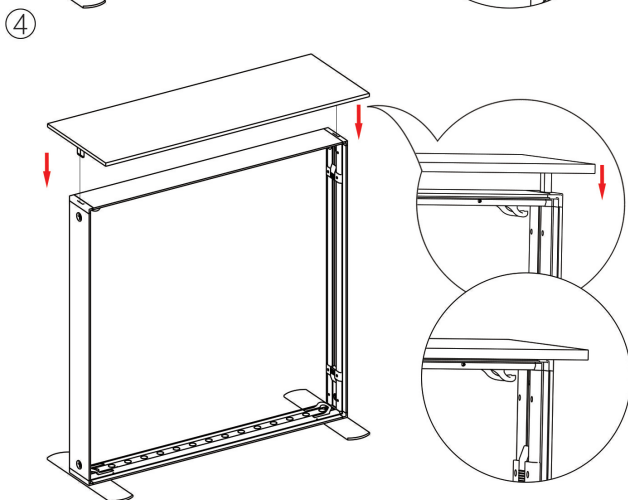
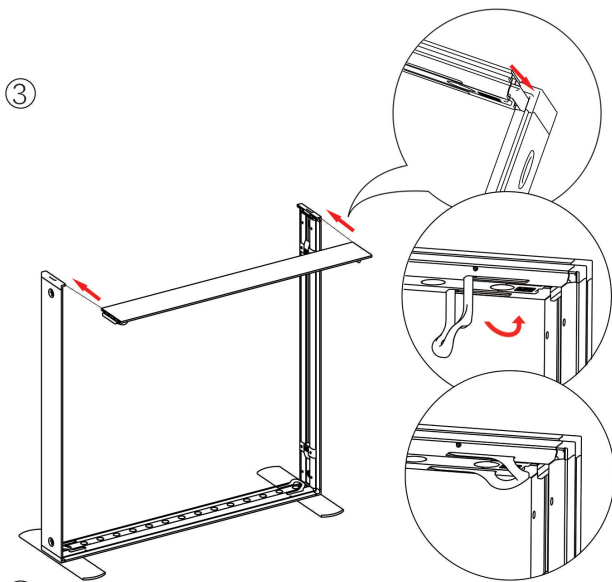
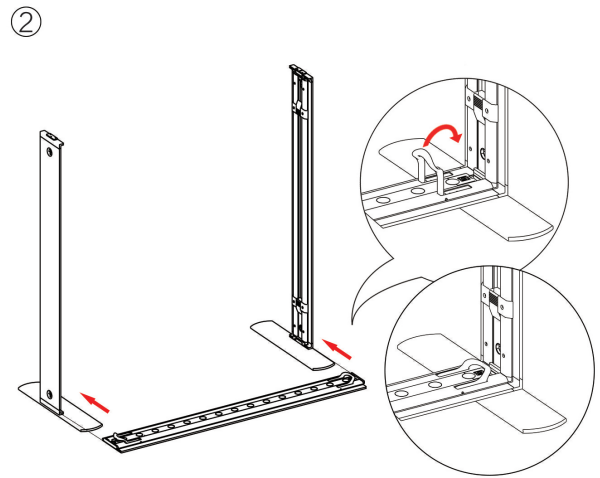
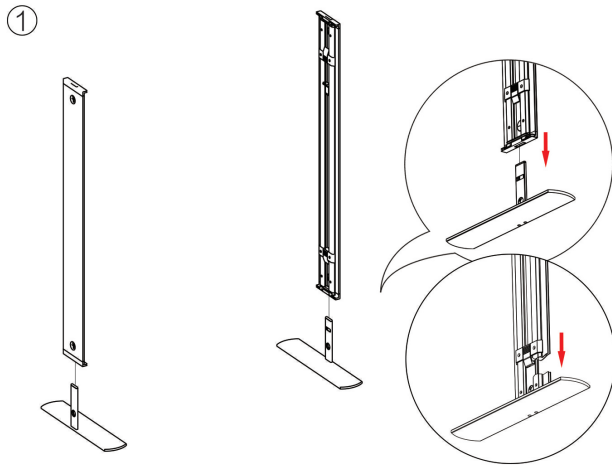
On frame



On graphic



## SET UP INSTRUCTIONS SEGO-CNTR



# SEGO QSEG CONFIGURATION C

SEGO & QSEG MODULAR SEG DISPLAY  
PRODUCT CODE: SEGO-QSEG-C



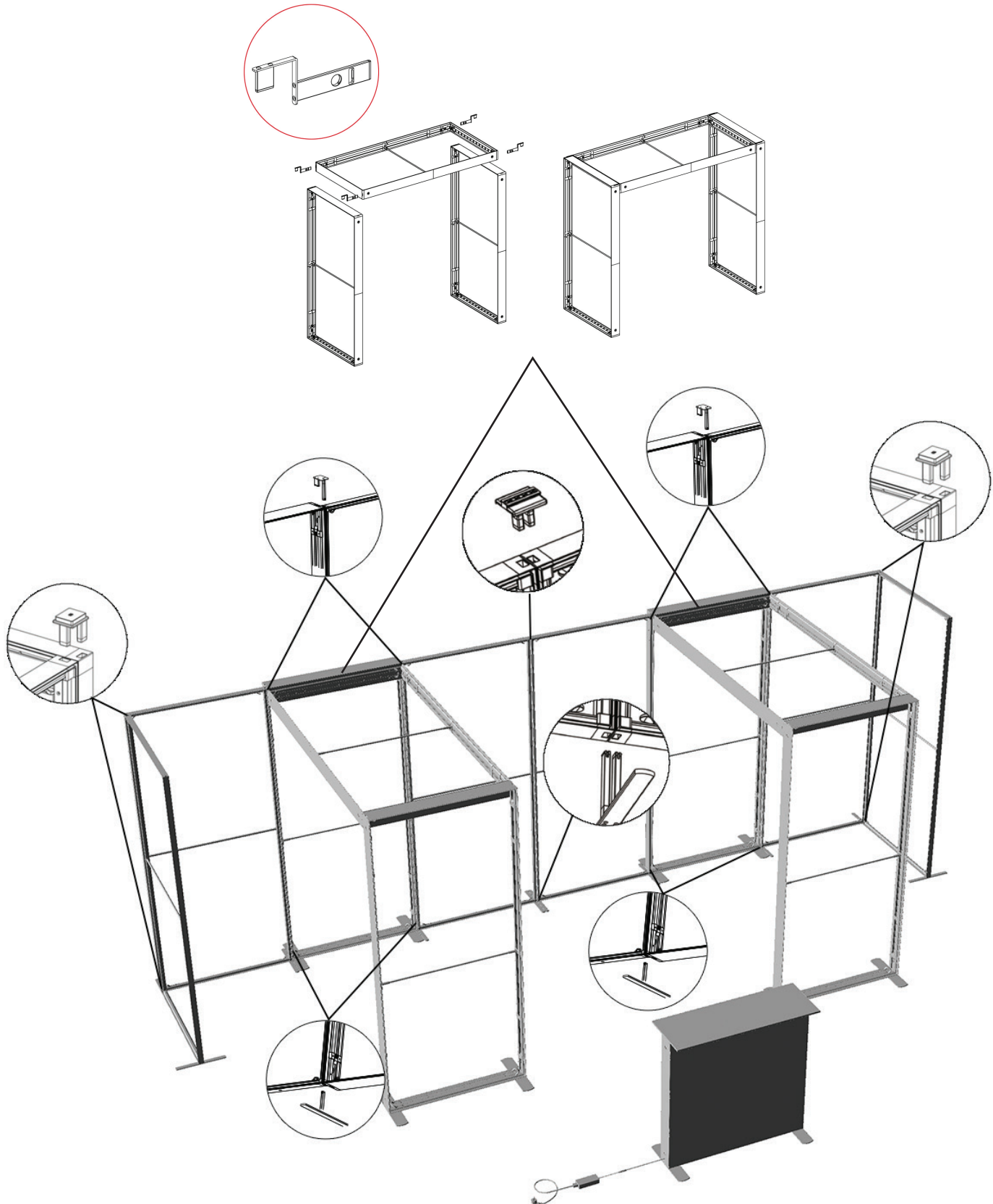
On frame



On graphic



## SET UP INSTRUCTIONS TRADESHOW BOOTH ASSEMBLY





# SEGO QSEG CONFIGURATION C

SEGO & QSEG MODULAR SEG DISPLAY  
 PRODUCT CODE: SEGO-QSEG-C



On frame On graphic

## TEMPLATES

