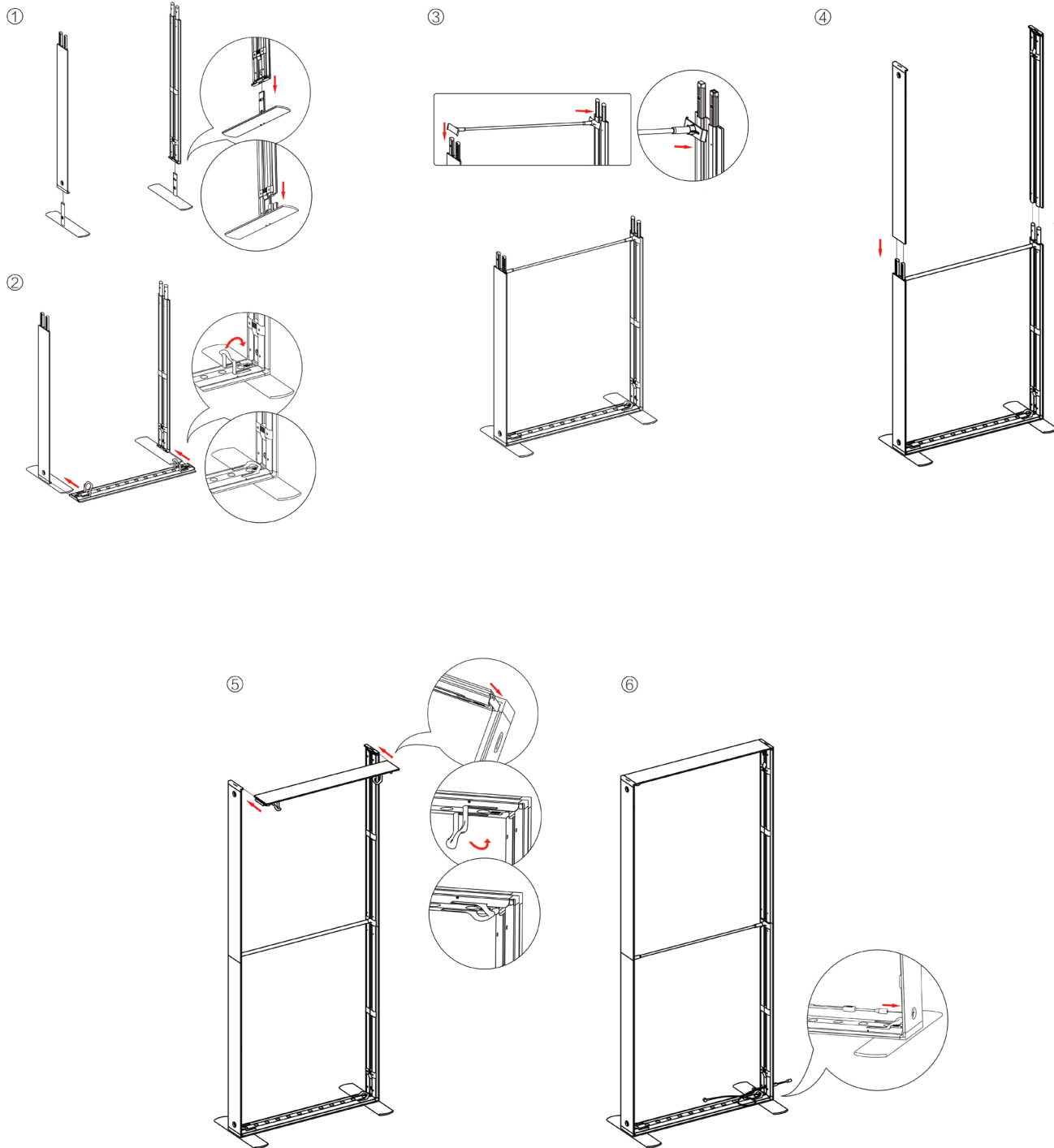
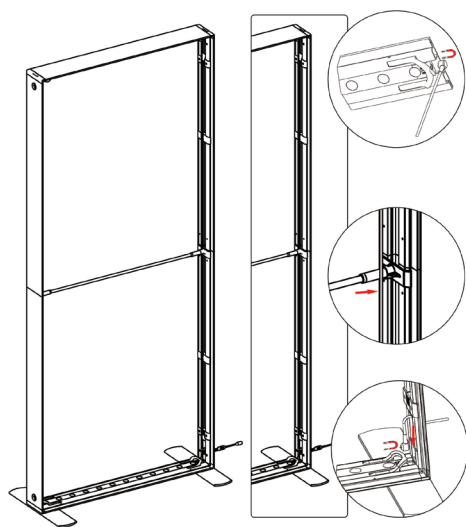


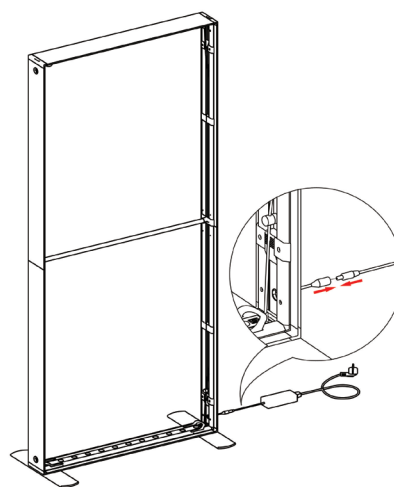
## SET UP INSTRUCTIONS SEGO 100X225 FRAME ASSEMBLY



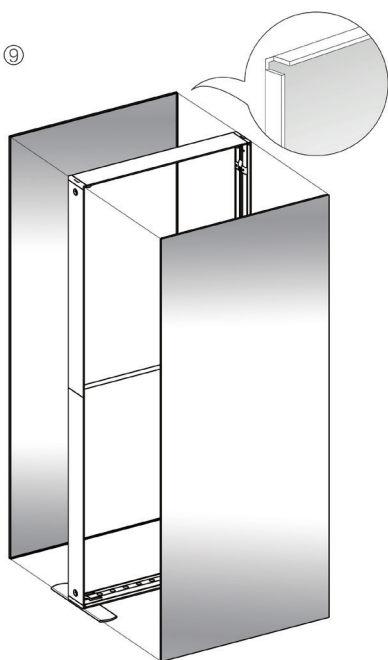
7



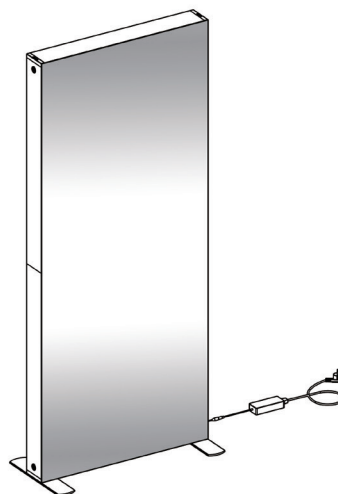
8



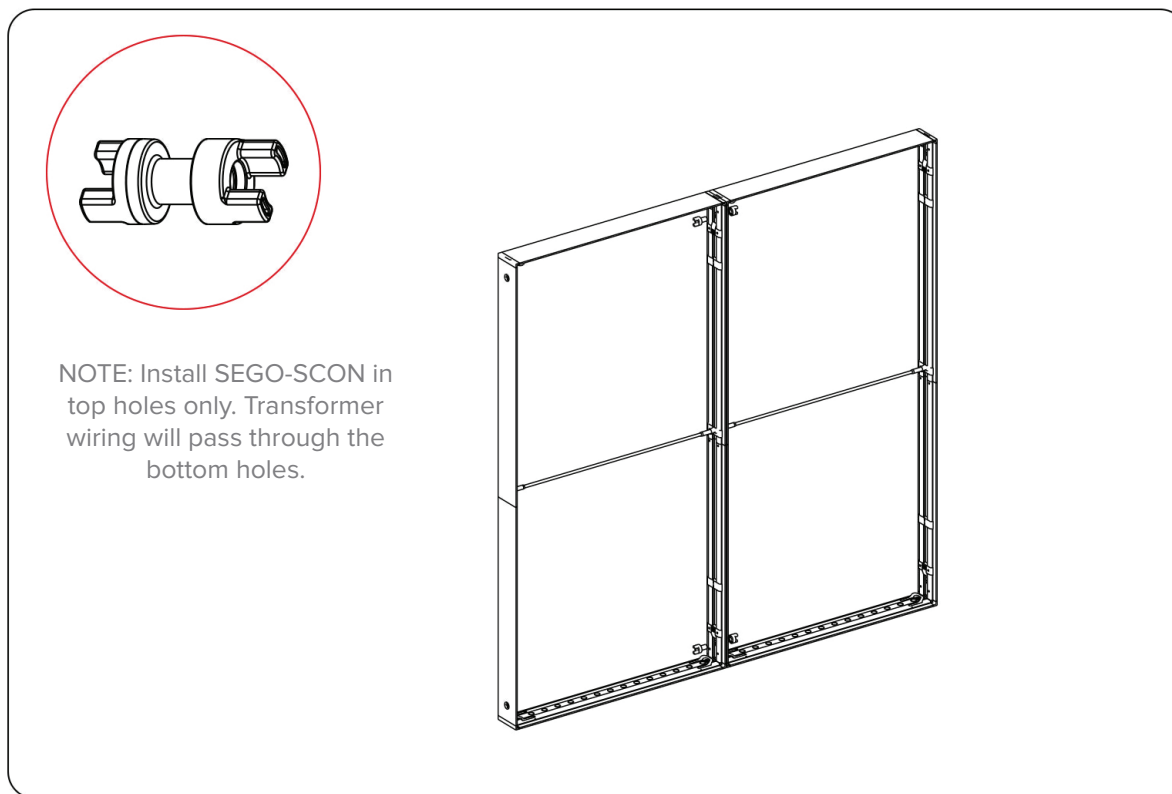
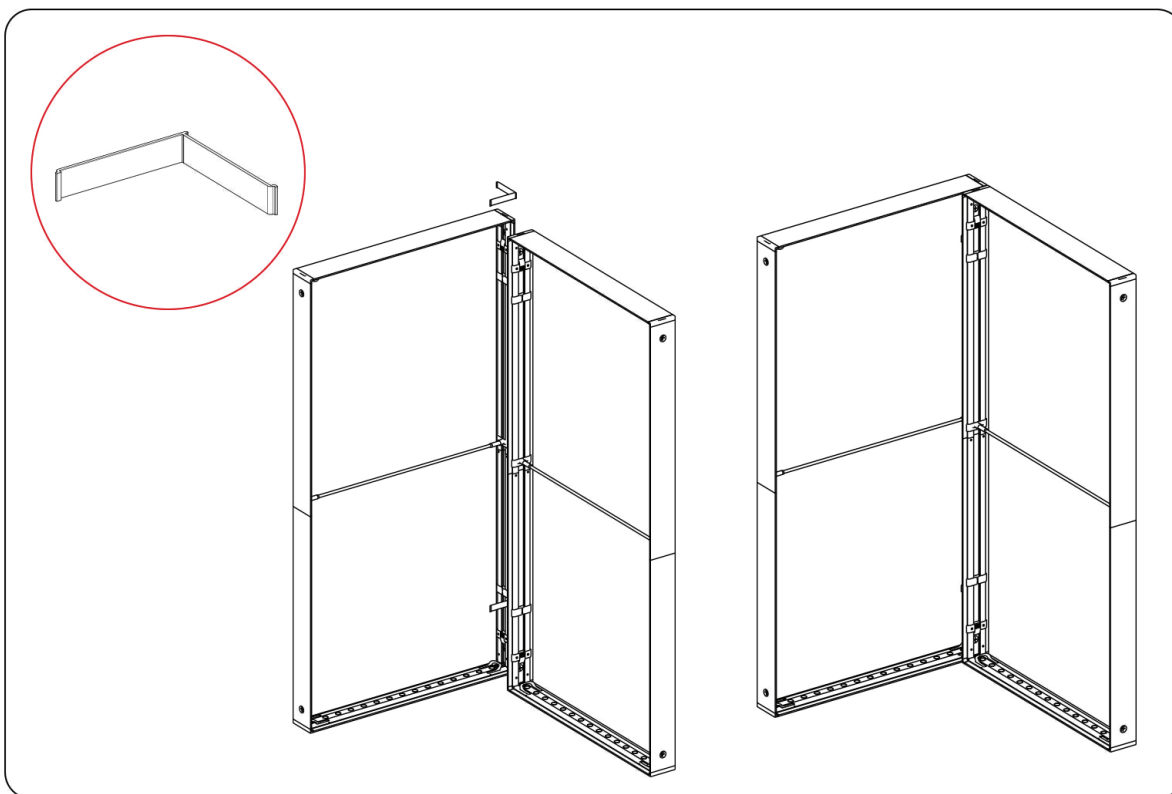
9



10

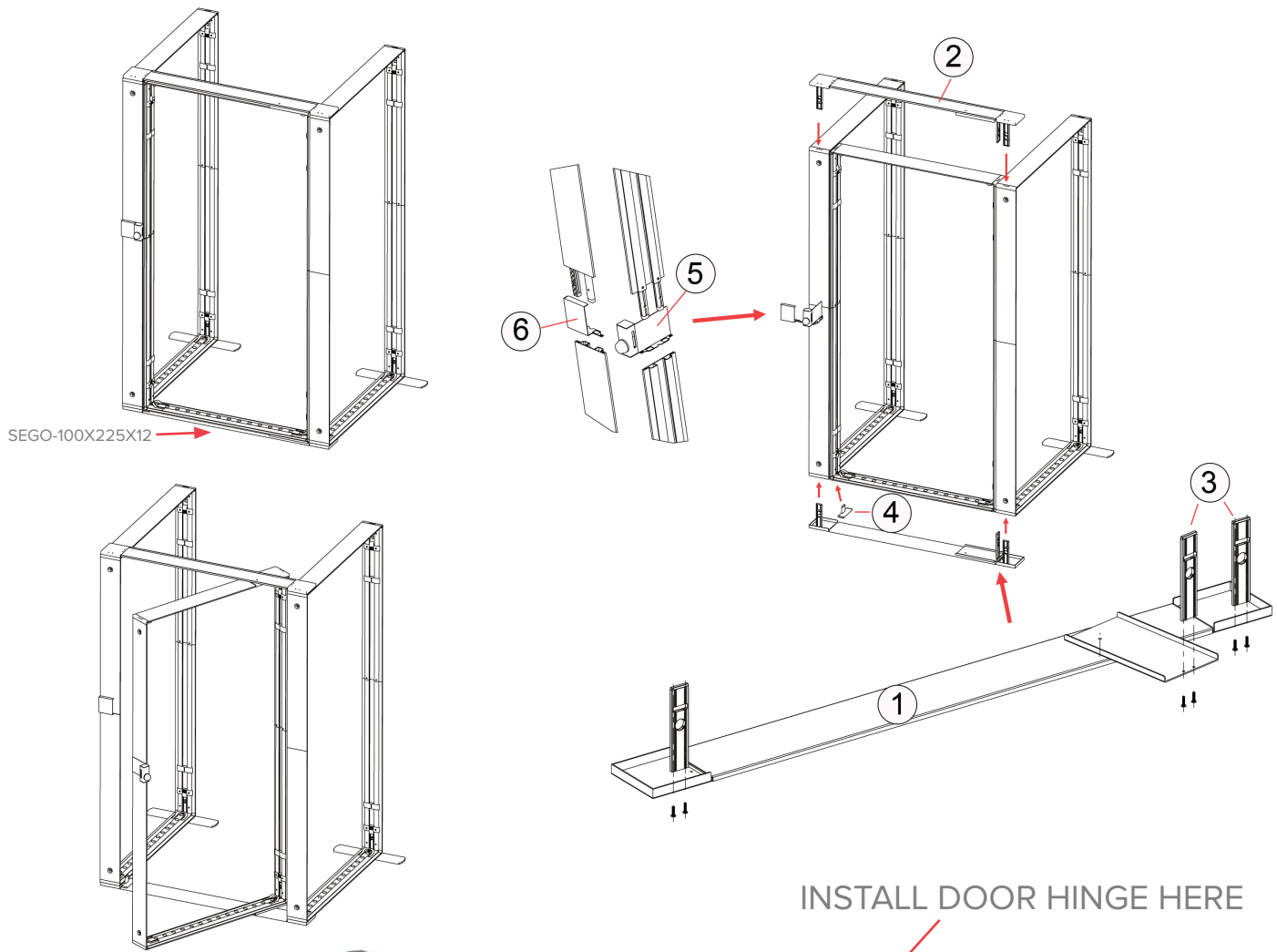


## FRAME CONNECTION

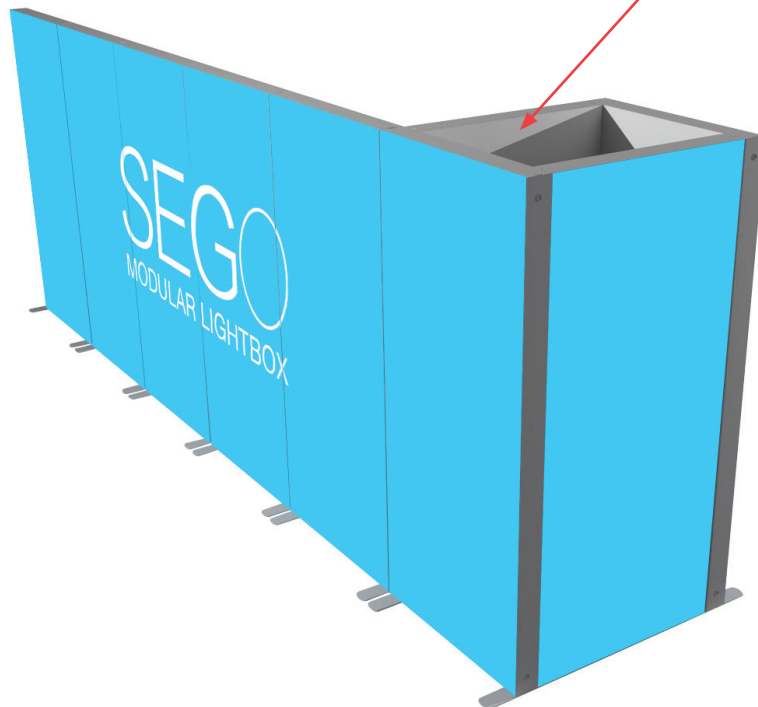


## DOOR HINGE CONNECTION

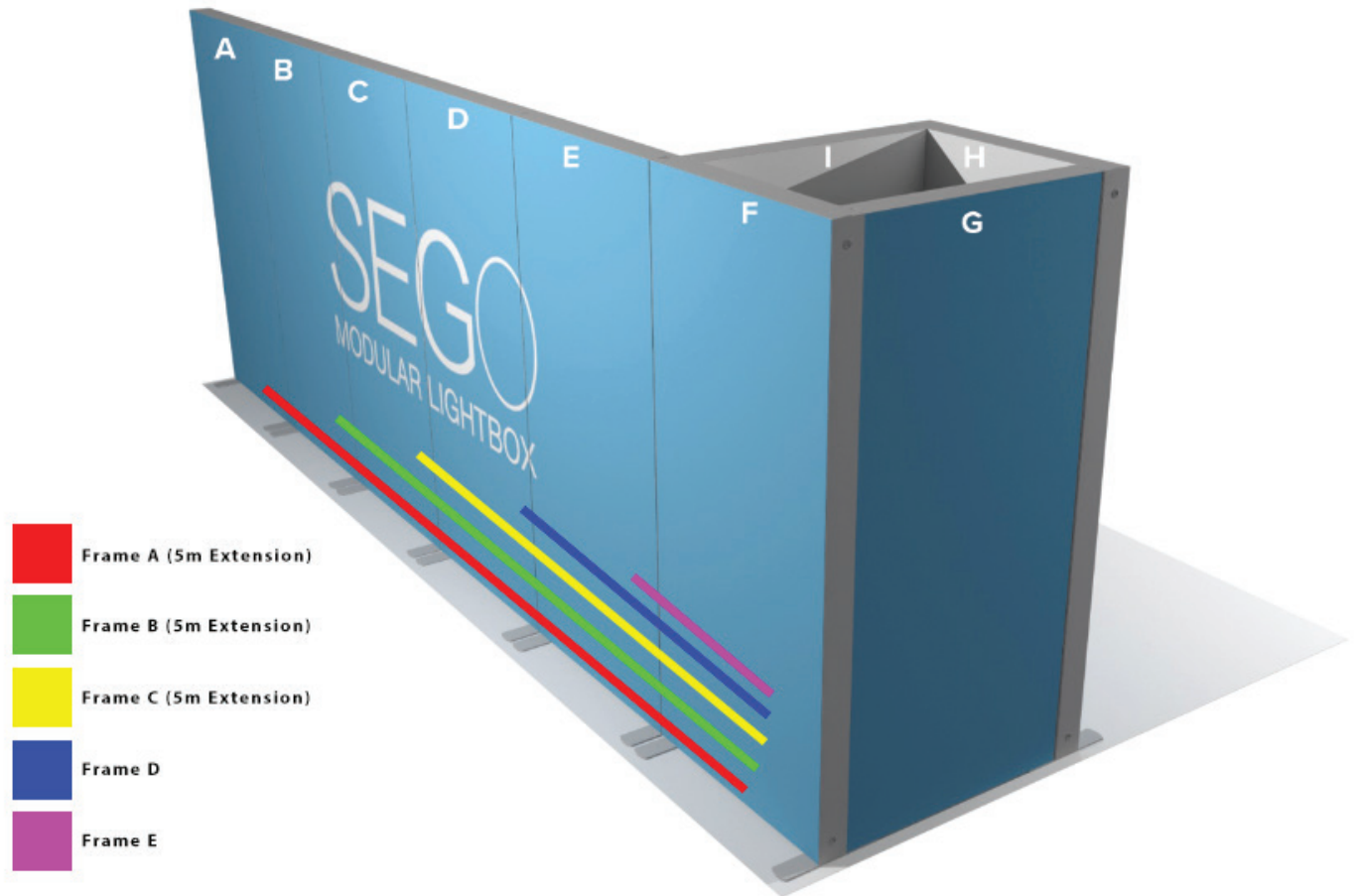
NOTE: HINGE IS ONLY COMPATIBLE WITH SEGO-100X225X12 FRAME



INSTALL DOOR HINGE HERE



## TRANSFORMER WIRING CONNECTION



**We recommend routing all wiring and transformers towards "room" made from frames F,G,H, & I  
Reference diagram above and legend to left on how to route wiring and when to use 5m extension wire**