

# SEGO CONFIGURATION G

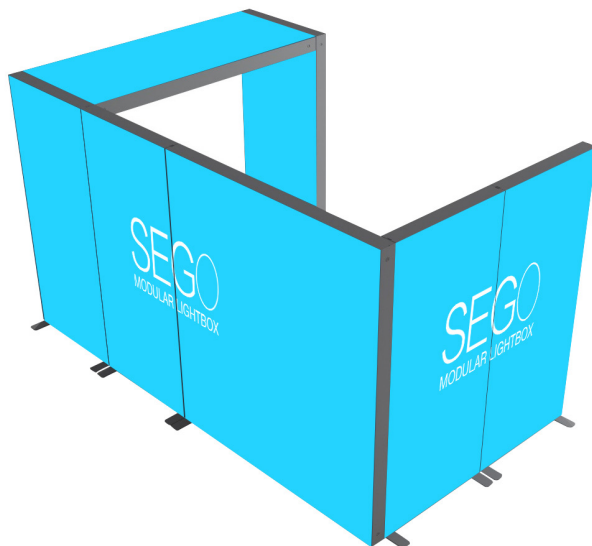
SEGO MODULAR LIGHTBOX DISPLAY  
PRODUCT CODE:SEGO-G-15x10G

**expandbiz**

expandbizdisplays.com • Tel: 626-727-3716



On frame On graphic



## PRODUCT DESCRIPTION

The advanced technology of the new SEGO modular lightbox system combines innovation with intuition. Toolless down to its feet, SEGO is designed to help heighten your display experience. Magnetic electrical connectors light up the UL certified LED lights that come pre-installed in the profiles. Electrical wires stay hidden from view. Edge-to-edge customizable SEG backlit fabric graphics cover the front and back of the aluminum frame. Portable, configurable, desirable, SEGO is a lightbox unlike the others. SEGO is so well thought out, even its durable foam cut carry bag is made distinctly to keep all parts and pieces protected and organized.

DISPLAY DIMENSIONS	157.5"W x 88.25"H x 104.5"D
GRAPHIC SIZES	78.125"W x 88.625"H (SEGO-200X225)
	39.625"W x 88.625"H (SEGO-100X225)

## GRAPHIC MATERIAL

Dye Sub Backlit Fabric

## GRAPHIC FINISHING

Silicone beading sewn onto edge of graphic

## DISPLAY CONSTRUCTION

Aluminum extrusion frame with plastic components

## SHIPPING WEIGHTS & DIMENSIONS

Shipping Weight SEGO-100X225 (6 boxes total)	30 lbs (frame only) 32 lbs (frame & graphic)
Shipping Weight SEGO-200X225 (2 boxes total)	34 lbs (frame only) 37 lbs (frame & graphic)
Shipping Dimensions	54.5"W x 15.5"H x 6.75"D (x8 boxes)

## GRAPHIC TURN AROUND TIME

2 business days after proof approval (up to 2 configurations)

AVAILABILITY	CA
--------------	----

## LED LIGHT SPECIFICATION

BRAND	Osram
POWER	3W
CCT (COLOR TEMP)	6800k
AVERAGE BEAM ANGLE	20 °
LM/W	130
AVG LM/M <sup>2</sup>	4800-5800
VOLTAGE INPUT	24V

## TRANSFORMER SPECIFICATION

POWER RATE 2 TRANSFORMERS	95W, 252W
CERTIFICATES	UL, CE, GEM
VOLTAGE INPUT	100-240V
VOLTAGE OUTPUT	24V

## LUMENS (100X225-EACH FRAME)

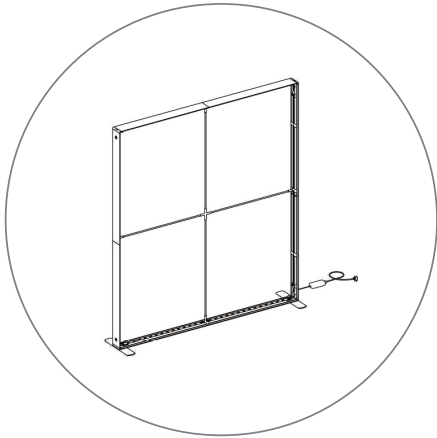
VOLTAGE (V)	24
POWER (W)	90
LM/W	130
TOTAL LM	11700
AVG LM	5850
CU	.8
EAV	4680

## LUMENS (200X225)

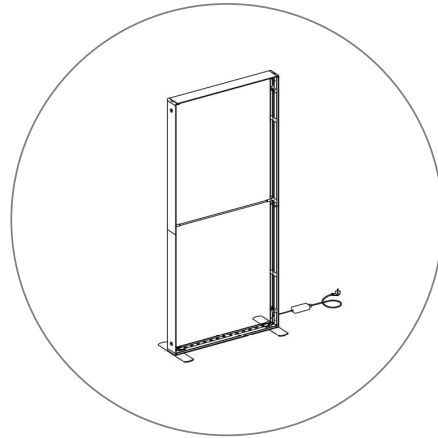
VOLTAGE (V)	24
POWER (W)	180
LM/W	130
TOTAL LM	23400
AVG LM	5850
CU	.8
EAV	4680



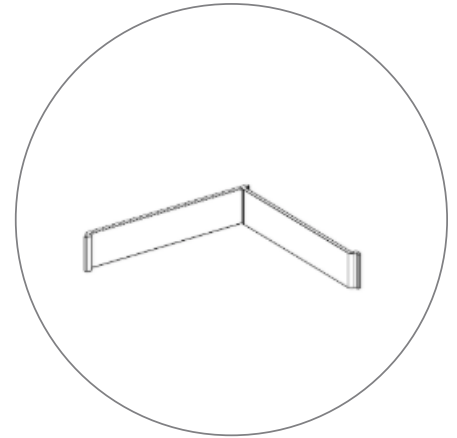
## PARTS LIST



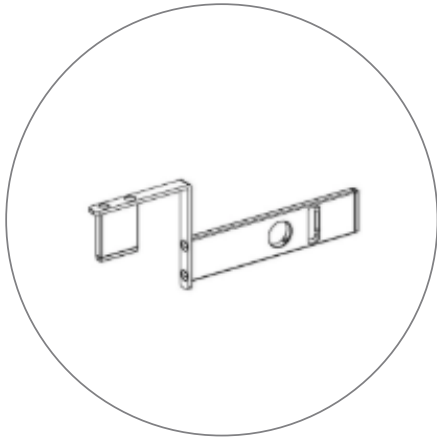
(qty 1)  
SEGO-200X225X12



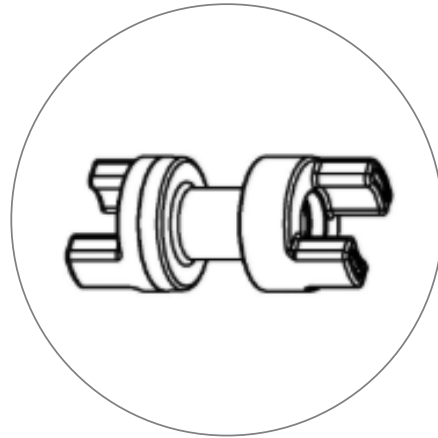
(qty 6)  
SEGO-100X225X12



(qty 2)  
SEGO-ILCON



(qty 4)  
SEGO-BC

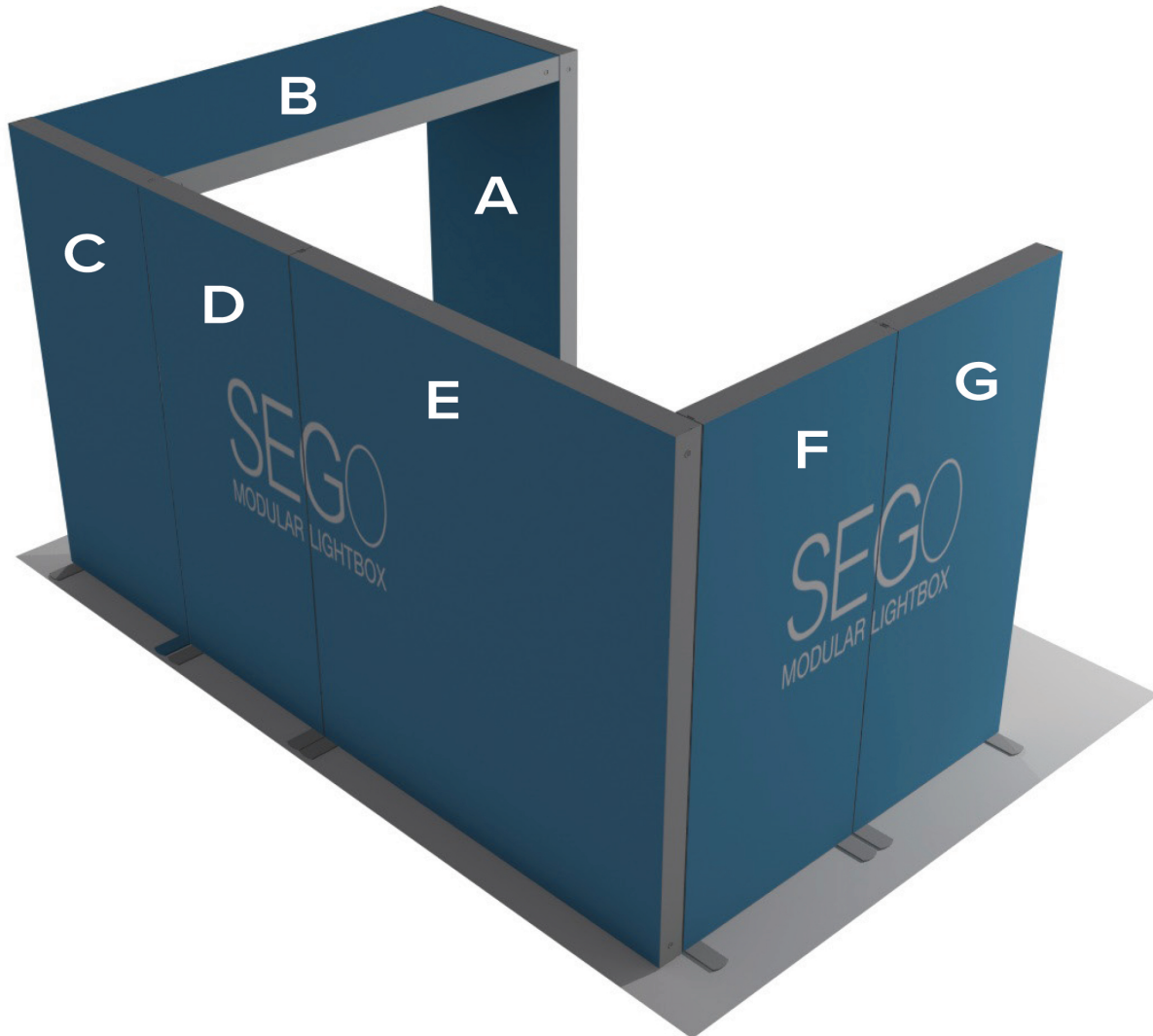


(qty 6)  
SEGO-SCON



(qty 4)  
SEGO-5MWIRE

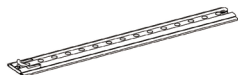
# SEGO Configuration G Template Guide



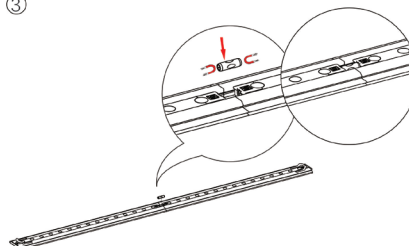
Frame	Template Dims	Notes
A	39.75"W x 88.625"H	Obstruction on back graphic
B	39.75"W x 88.625"H	Bridge
C	39.75"W x 88.625"H	Obstruction on front graphic
D	39.75"W x 88.625"H	
E	78.125"W x 88.625"H	Obstruction on front graphic
F	39.75"W x 88.625"H	
G	39.75"W x 88.625"H	

## SET UP INSTRUCTIONS SEGO 200X225 FRAME ASSEMBLY

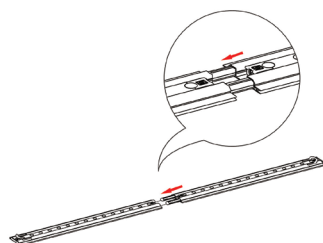
①



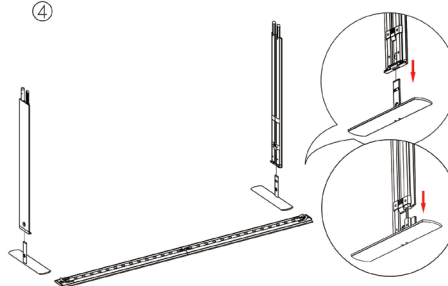
③



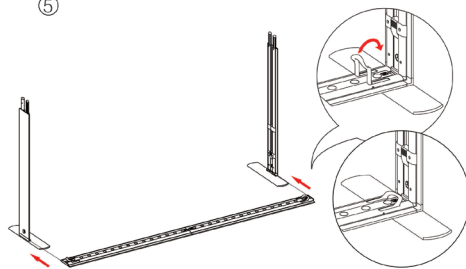
②



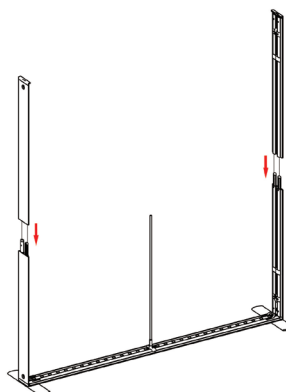
④



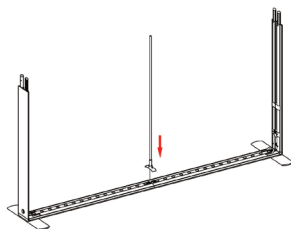
⑤



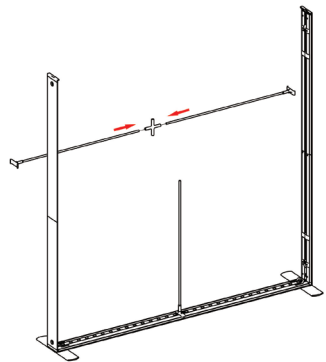
⑦



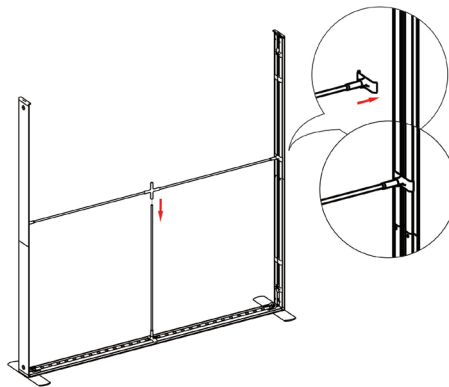
⑥



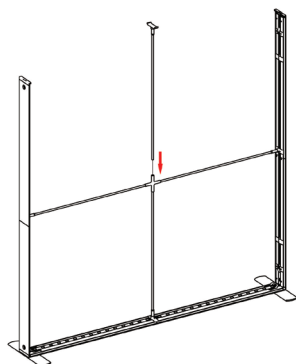
⑧



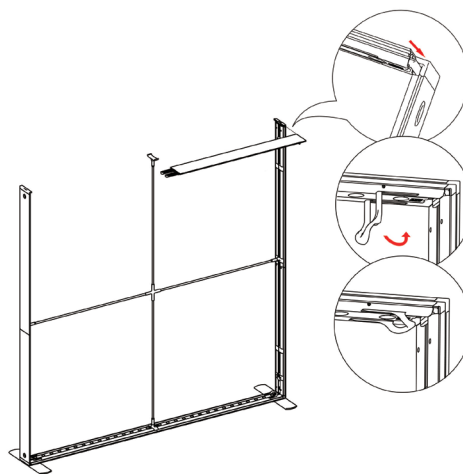
⑨



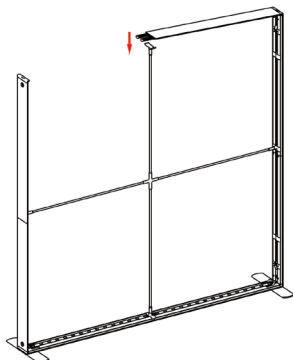
⑩



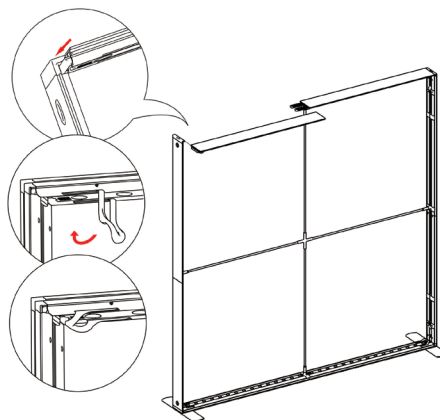
⑪



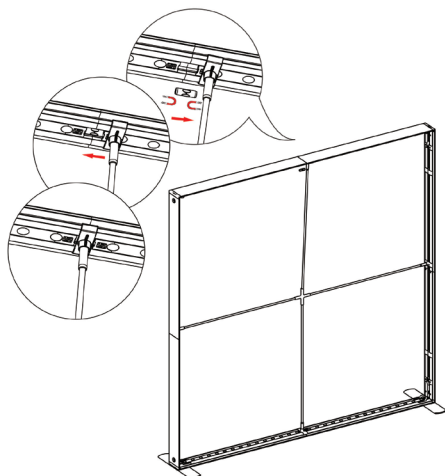
12



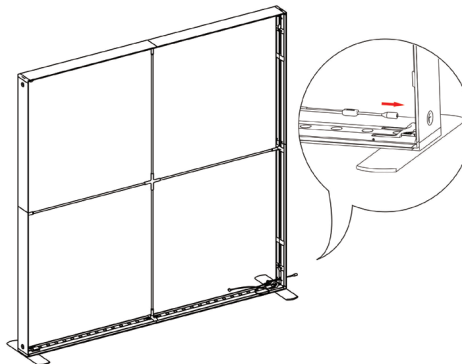
13

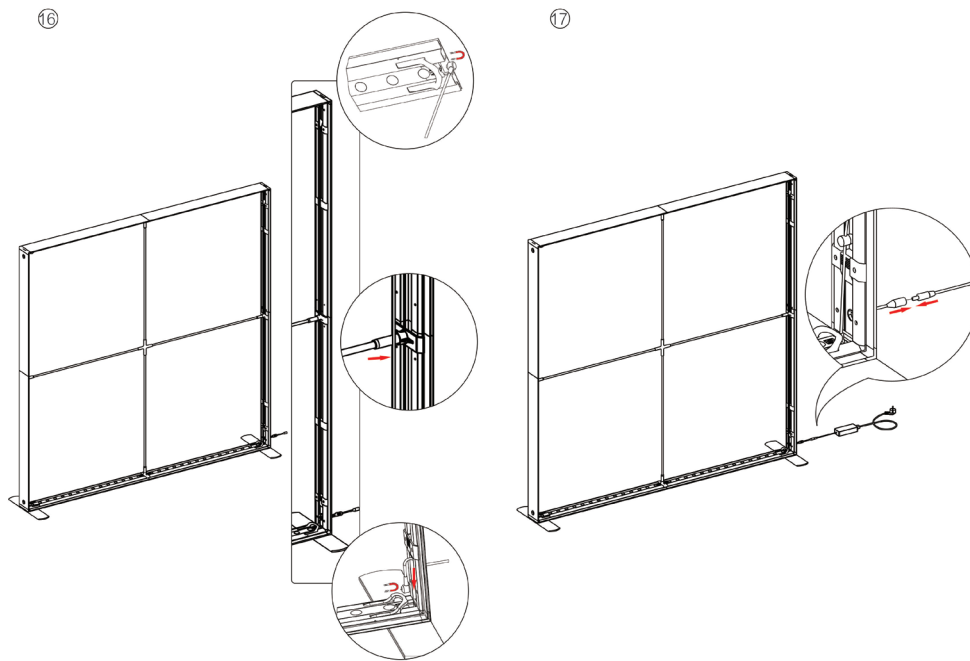


14

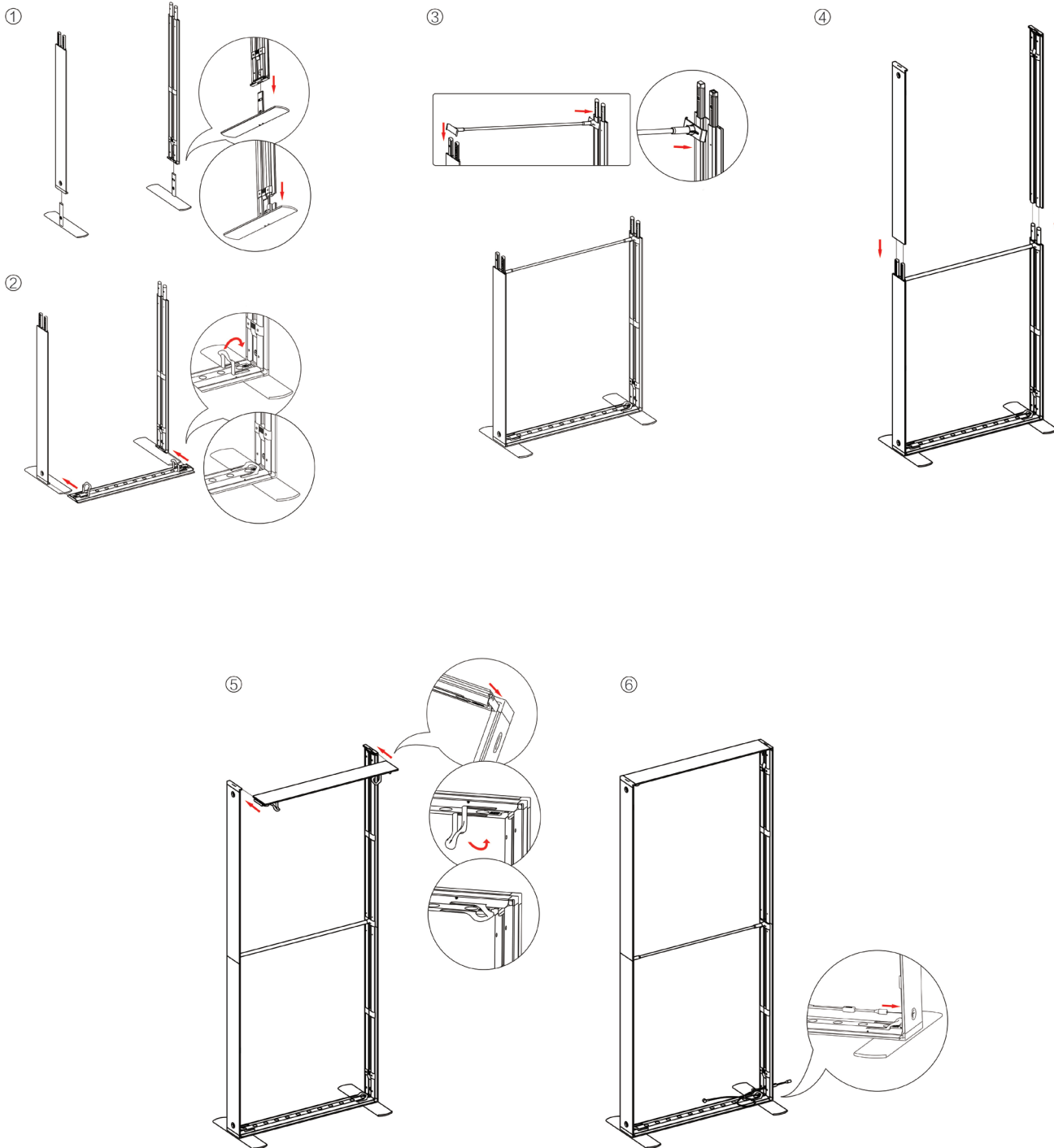


15



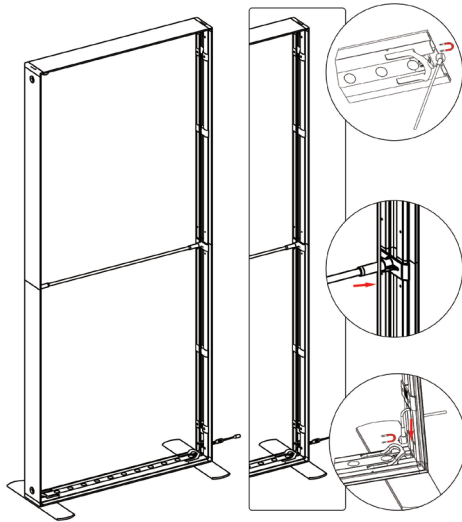


## SEGO 100X225 FRAME ASSEMBLY

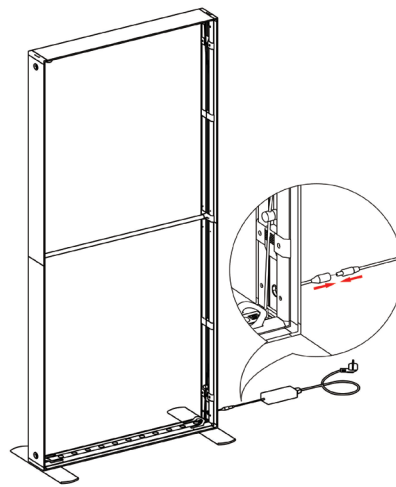




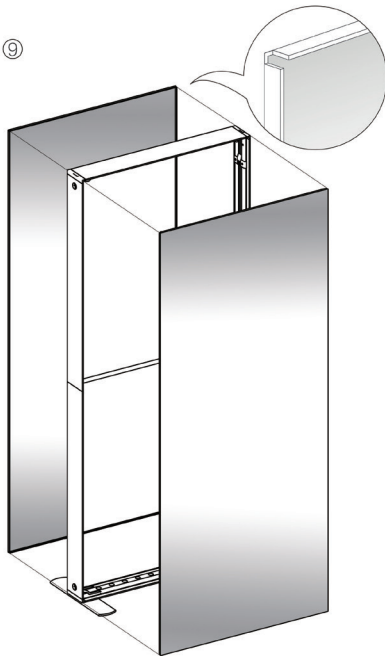
7



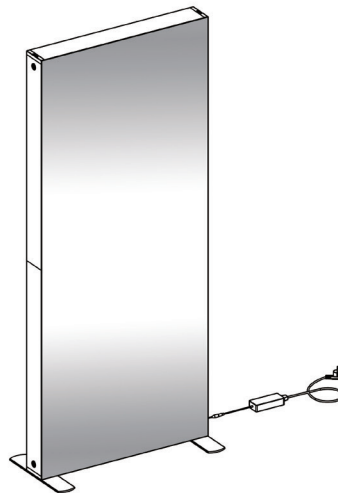
8



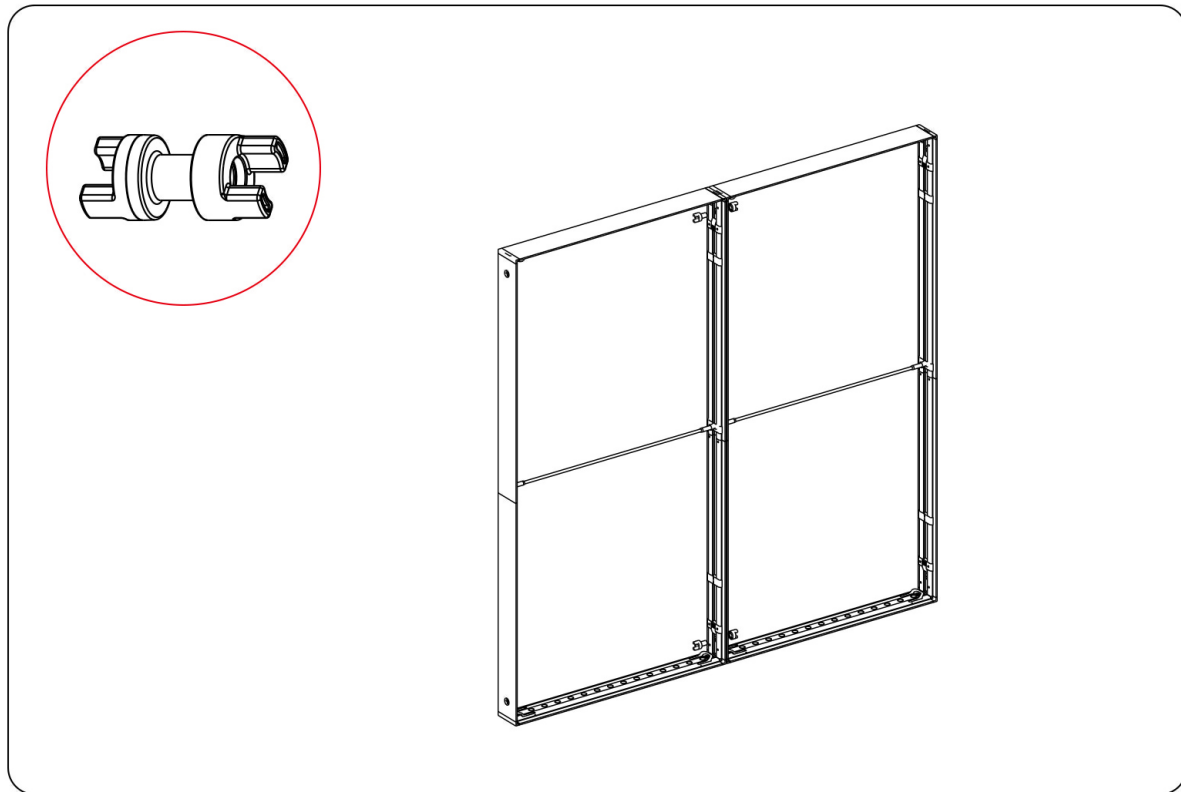
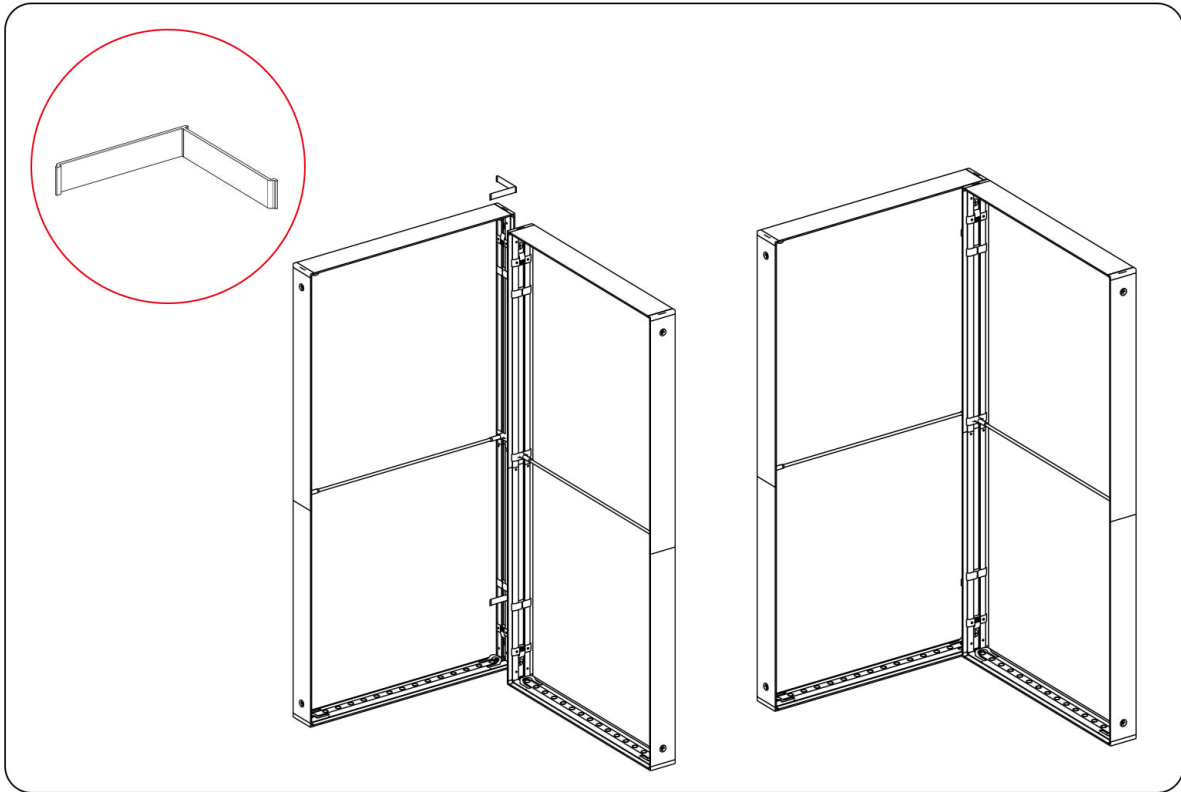
9

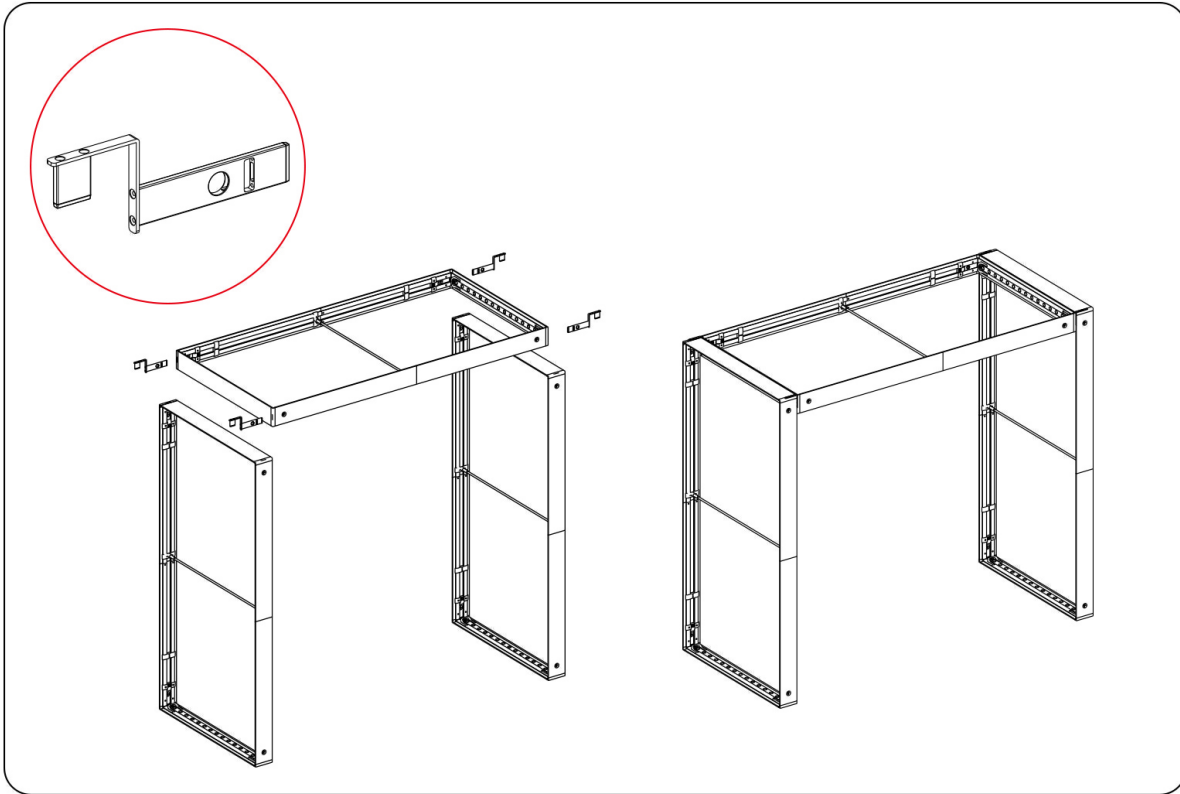


10



## FRAME CONNECTION





## TRANSFORMER WIRING CONNECTION

