

SEGO80 100X200

SEGO MODULAR LIGHTBOX DISPLAY

PRODUCT CODE: SEGO-80

expandbiz

expandbizdisplays.com • Tel: 626-727-3716



PRODUCT DESCRIPTION

The SEGO 80 is the newest addition to the SEGO lightbox family. This version was designed for use as a single unit in store display, so it does not have the modular capabilities of its larger counterparts but still allows for double sided graphic display. The design of the SEGO 80 has been streamlined and now features an integrated transformer built into the frame so only a single power cable is exposed outside of the lightbox. Included as always with SEGO displays is a padded travel bag with foam inserts to keep your display secure and in place during storage and travel.

DISPLAY DIMENSIONS	39.5"W x 79"H x 17"D
GRAPHIC SIZE	40"W x 79.5"H

GRAPHIC MATERIAL

Dye Sub Backlit Fabric

PRINTING PROCESS

Dye Sublimation

GRAPHIC FINISHING

Silicone beading sewn around perimeter of graphic

DISPLAY CONSTRUCTION

80mm wide aluminum extrusion frame with plastic components

SHIPPING WEIGHTS & DIMENSIONS

Shipping Weight	25 lbs (frame only) 27 lbs (frame & graphic)
Shipping Dimensions	44"L x 13"W x 5.5"H

GRAPHIC TURN AROUND TIME

2 business days after proof approval (up to 6 sets)

AVAILABILITY	PA and PFC only
--------------	-----------------

LIGHT INFORMATION

CCT	6464K
VOLTAGE (V)	24
POWER (W)	80
LM/W	121
TOTAL LM	9680
AVG LM	4840
CU	.8
EAV	3872



INTEGRATED TRANSFORMER
FOOT DIMENSIONS (3"W X 17 "L)



LED LIGHTS ON LEFT/RIGHT SIDES

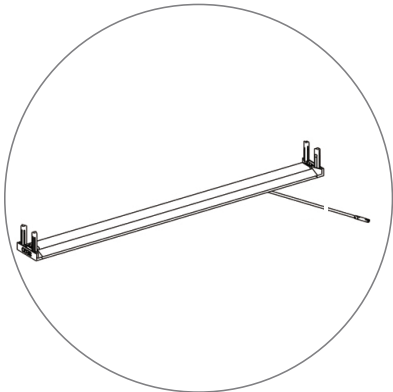


INCLUDES TRAVEL BAG

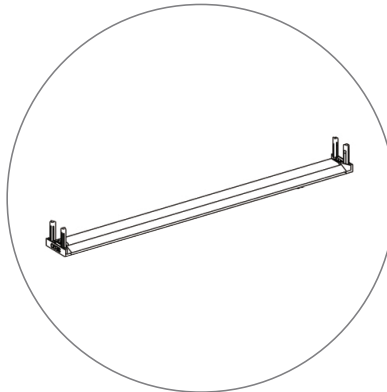


TRAVEL BAG OPEN

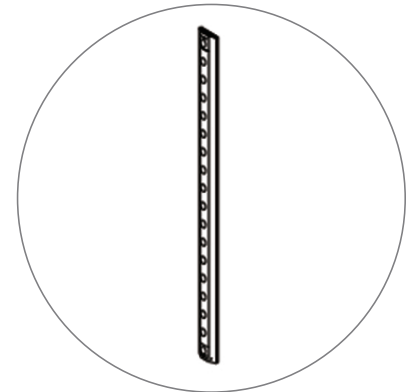
PARTS LIST



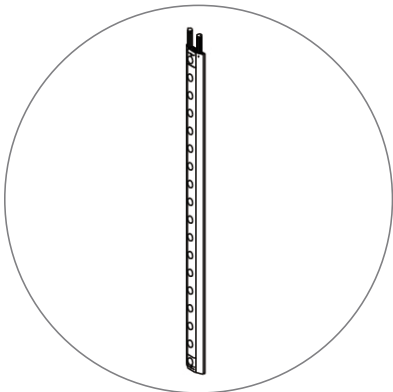
(qty 1)
Horizontal Profile Bottom



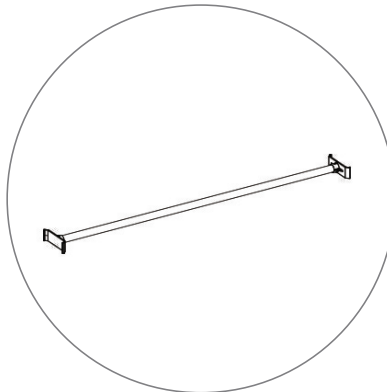
(qty 1)
Horizontal Profile Top



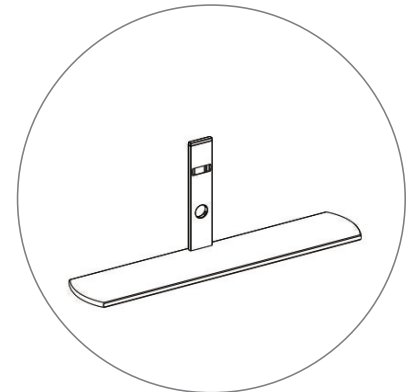
(qty 2)
Vertical Profile Top



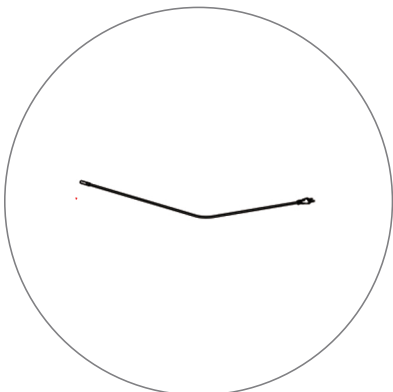
(qty 2)
Vertical Profile Bottom



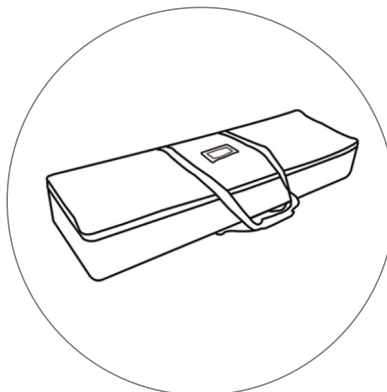
(qty 1)
Mid Pole



(qty 2)
Feet
2.25" W x 17" L (each)



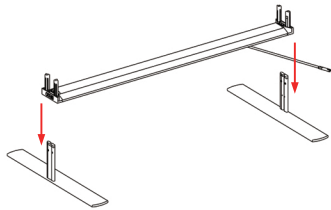
(qty 1)
Power Cord



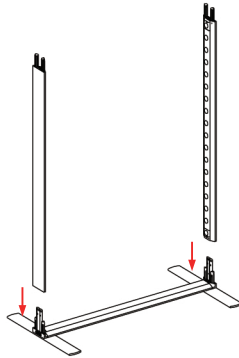
(qty 1)
Travel Bag

SET UP INSTRUCTIONS

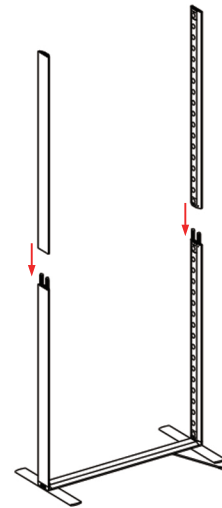
①



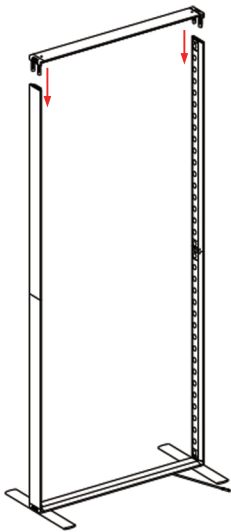
②



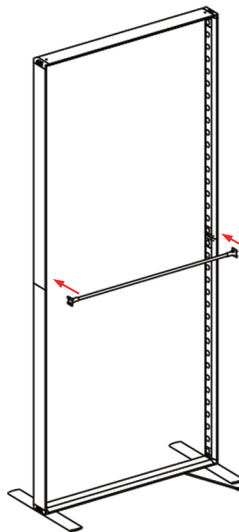
③



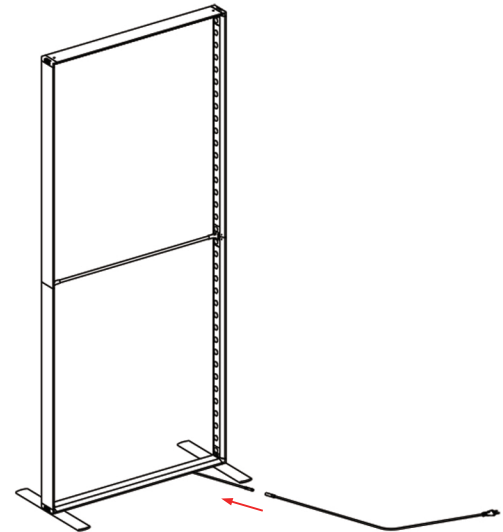
④



⑤



⑥



TEMPLATE

PLEASE DELETE ALL TEMPLATE ELEMENTS BEFORE UPLOADING

SEGO 80

UPLOAD AT 100% SCALE
DOCUMENT SIZE 40" x 79.5"

USE SAME TEMPLTE FOR FRONT AND BACK GRAPHICS
YELLOW SAFE AREA: 33"W x 73" H

*KEEP ALL IMPORTANT GRAPHICS
SUCH AS: LOGOS, TEXT, CONTACT INFO, ETC.
IN THE YELLOW SAFE ZONE*

*ARTWORK IN THE BLUE AREA WILL PRINT BUT IS IN RISK
OF BEING CLOSE TO THE EDGE OR TRIMMED OFF*

Graphic Specifications:

- Create to template specs
- 125 DPI resolution
- CMYK color
- No template lines
- Embed/link all images
- Create to outline all fonts

Acceptable file formats:

- Photoshop (.psd, .psb)
- Illustrator (.ai, .eps)
- Flattened .tiff
- Press quality .pdf