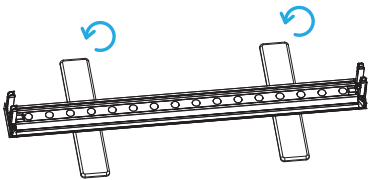


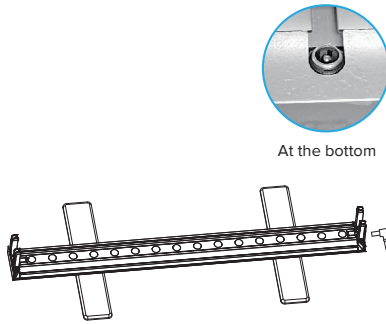


INSTRUCTIONS

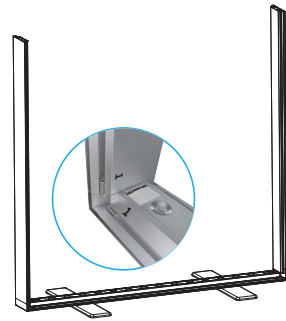
- 1 Rotate both feet 90°



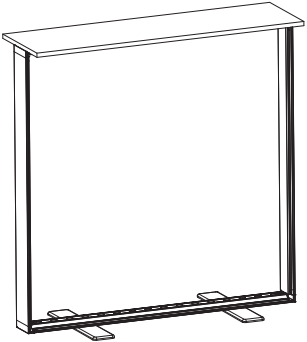
- 2 Connect the transformer



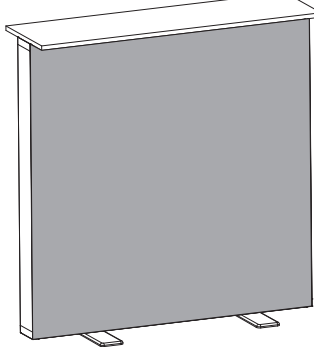
- 3 Match the same numbers together to assemble frame



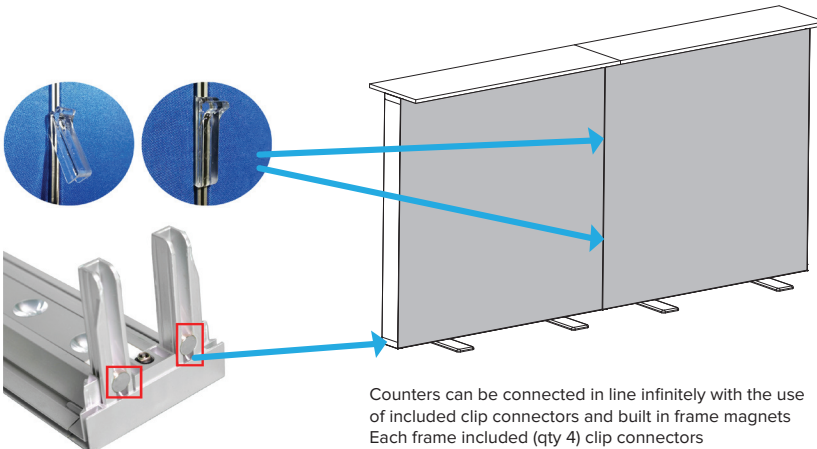
- 4 Place counter top on top of frame



- 5 Install graphics by pressing silicone edge into channels



- 5 Connect the power cable then plug into wall outlet



Counters can be connected in line infinitely with the use of included clip connectors and built in frame magnets
Each frame included (qty 4) clip connectors
(qty 2) Install on front of frames
(qty 2) Install on back of frames