

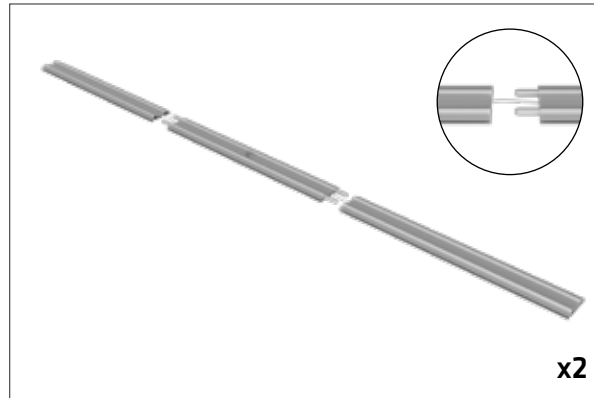
Set Up Instructions

10' Infinity DNA™ Pro Lightbox

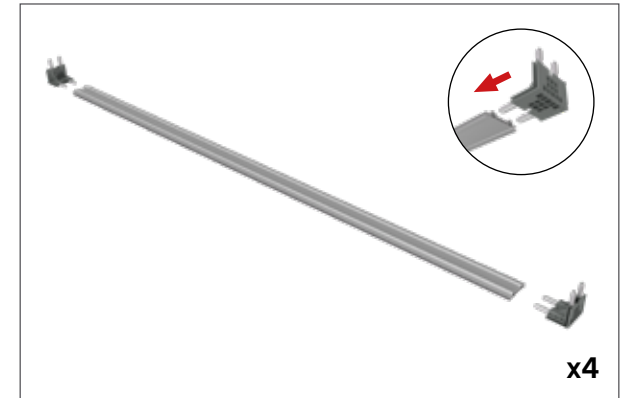
Step 1: Open hard case and remove all aluminum frames and pole from foam inserts.



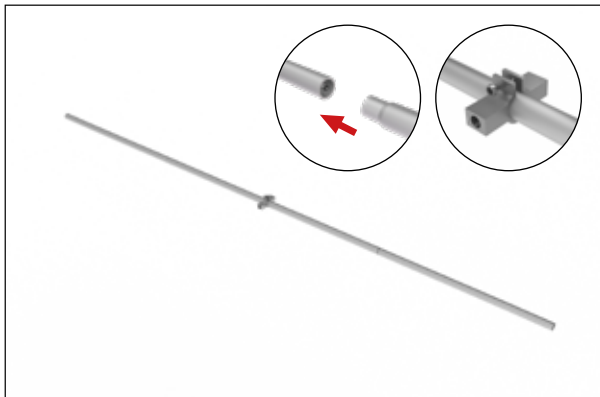
Step 2: Push sections together to complete each vertical side frame.



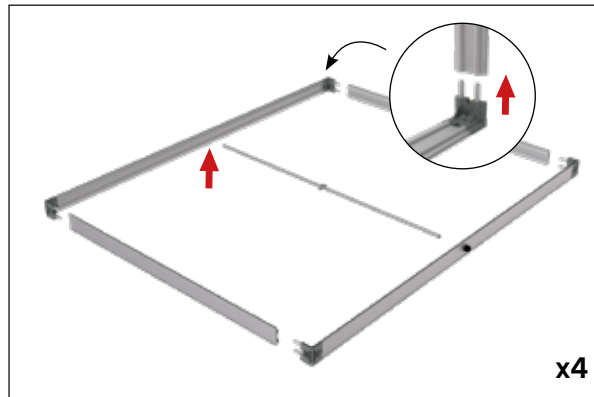
Step 3: Add 4 corners to the two vertical side frames.



Step 4: Build the center power pole by push sections together. Slide on horizontal support clamp before attaching to frame. **Important! Horizontal support clamp may be preinstalled. If not, center and tighten screw in Step 8.**



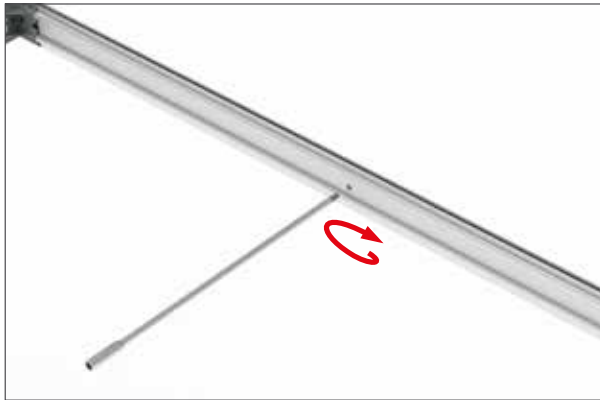
Step 5: Join the 2 vertical side frames to top and bottom horizontal frames while placing the center support pole into position.



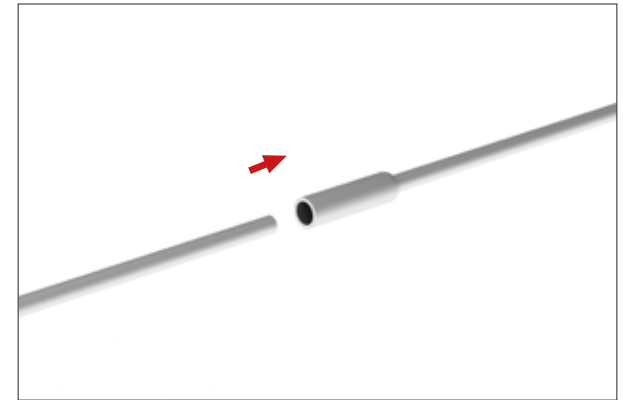
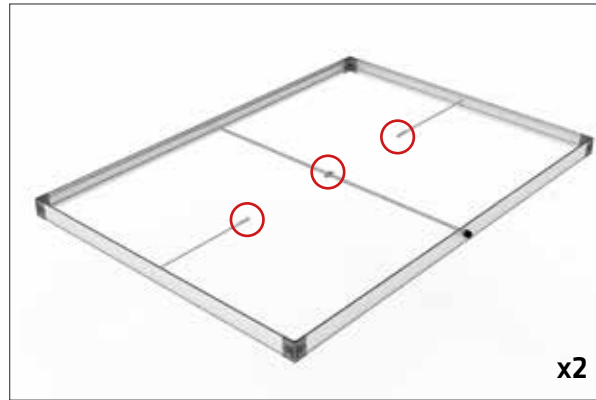
Set Up Instructions

10' Infinity DNA™ Pro Lightbox

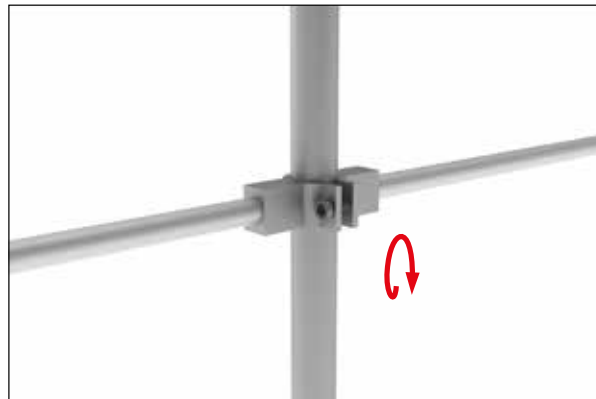
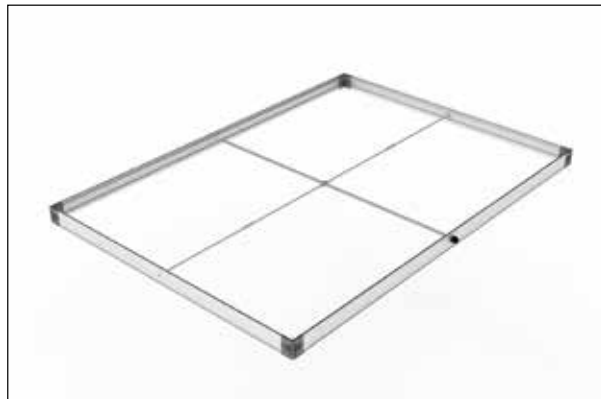
Step 6: Screw one black horizontal cross support pole into each side of frame.



Step 7: Complete connections of horizontal cross support poles.



Step 8: Tighten center pole clamp to lock horizontal cross support poles into place. **Important!** If your center pole clamp was preinstalled, then skip this step.



Set Up Instructions

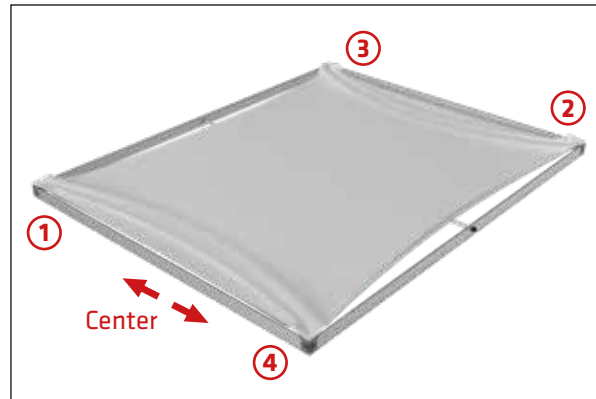
10' Infinity DNA™ Pro Lightbox

Step 9: To install a graphic start by inserting one eSEG™ Fabric Print into 4 corners of frame by pressing silicone into frame edge.

The fabric stretches on a diagonal and is easier to install by following Step 10.



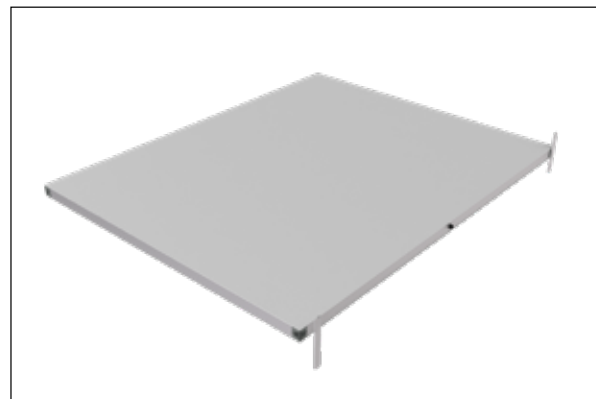
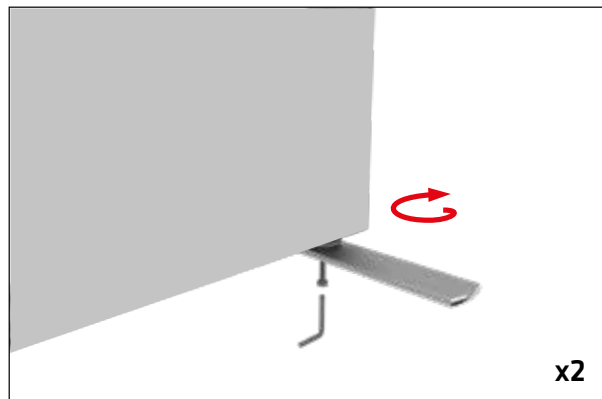
Step 10: Start in top corner (1) and then insert graphic into opposite bottom corner (2). Repeat on other side (3) and then (4). Then insert the graphic into center of each side and work back toward the corners.



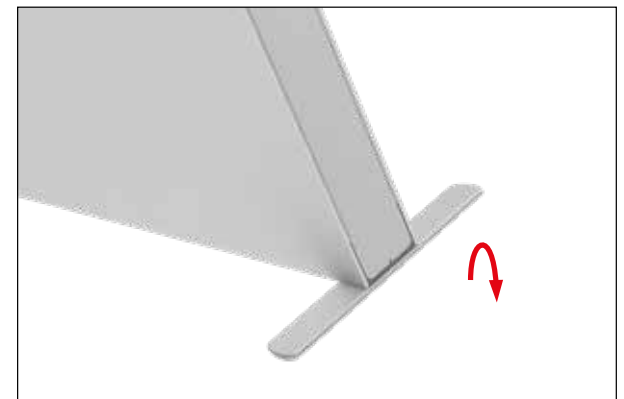
Step 11: Repeat Step 6-7 for the reverse side of frame.



Step 12: Screw feet into 2 bottom corners using hex tool provided.



Step 13: Stand into upright position using one person on each side to lift display.



Set Up Instructions

10' Infinity DNA™ Pro Lightbox

OPTIONAL: Unroll frame covers and slide them into the groove of the frame from top to bottom. For use with one stand or on the outer two edges of multiple stands when connected together.



OPTIONAL: Connect frames together using u-clamp to create a continuous wall.

